



# HIGH VOLTAGE CATALOG

July 2012

**ALROC**

Z.I. de la Fonderie  
72160 Tuffé  
FRANCE

Tel. : +33 (0)2 43 71 11 80  
Fax : +33 (0)2 43 71 16 51

[www.alroc.fr](http://www.alroc.fr)  
[commercial@alroc.fr](mailto:commercial@alroc.fr)



The SIBILLE INDUSTRIE GROUP ESP division is a manufacturer of electrical safety equipment.

Our products are intended for technicians and teams who build, maintain and operate power systems in a high-risk environment (low, medium and high voltage).



The goals aspired to by our group since its creation are to:

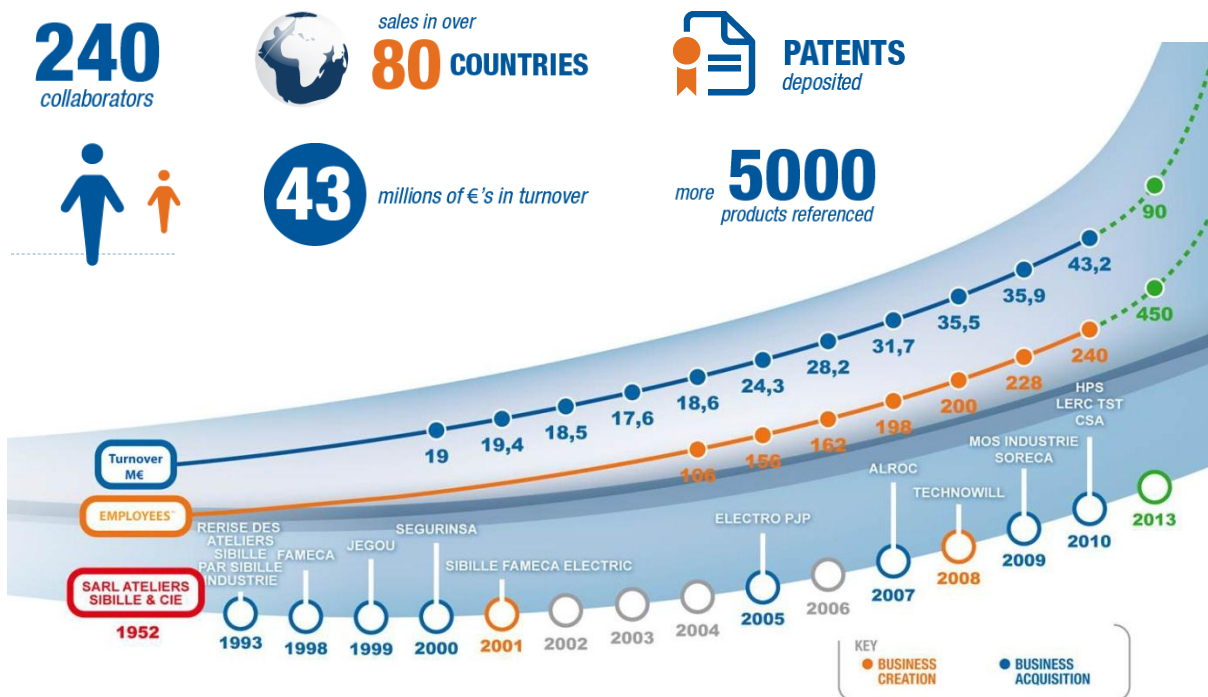
- Protect individuals against electrical risks
- Provide products ensuring maximum security
- Develop risk prevention among those working within the industry

ESP focuses on innovation in order to provide solutions adapted to evolving global technological networks and thereby effectively optimizes power distribution and management.



**OUR VALUES**

- Customer satisfaction by providing innovative, quality products
- 100% of our factories are in France
- Employee satisfaction through a respectful and participative management system



# ALROC

Established in 1940, ALROC has become as of the late 1980's one of the worldwide leading companies specialized in the fabrication of cable preparation tools and machines to prepare:

- Electrical cables (low, medium and high voltage)
- Optic fiber and telecommunication cables
- Coaxial and special cables

As of December 2007, ALROC is now part of the group SIBILLE INDUSTRIE and has exported its products to more than 50 countries to date.

ALROC is equipped with the best high-tech machines tools and data processing systems to design and to manufacture its products.

Consequently, ALROC offers customized design to meet specific customer requirements.

## Technical Support

Beyond the technical hotline, ALROC is also equipped with an audiovisual system to offer live visual assistance with our users.

In addition to the above, ALROC also offers training sessions on site with a view on training in the handling of the tools.

Fondée en 1940, la société ALROC, a su se positionner comme le leader mondial depuis la fin des années 1980 dans la fabrication des outils et machines pour la préparation des câbles :

- Electriques (basse, moyenne et haute tensions)
- Fibres optiques et téléphoniques
- Coaxiaux et spéciaux

ALROC a rejoint le groupe SIBILLE INDUSTRIE depuis décembre 2007, et a exporté ses produits dans plus de 50 pays à ce jour.

La société ALROC s'est dotée des moyens technologiques et informatiques les plus performants pour concevoir (C.A.O., F.A.O. G.P.A.O.), fabriquer ses produits (centres d'usinage et tours à commande numérique, injection plastique).

De cette manière, ALROC apporte des réponses sur mesure aux besoins spécifiques de sa clientèle.

## Support Technique

Au-delà du support téléphonique, ALROC est aussi dotée d'un système audiovisuel afin d'offrir un support technique en direct auprès de vos collaborateurs.

ALROC est aussi en mesure d'offrir une formation prise en main dans ses locaux.

Fonderie  
Foundry shop



Bureau d'étude  
Engineering department



Injection plastique  
Plastic injection



Montage  
Assembly line



Centres d'usinage à  
commande numérique  
Machine tool shop



Tour à commande numérique  
Machine tool shop



# INDEX



## OUTER JACKET ..... 7

Single cut (reinforced & alarmed) for outer jacket - DMSR.....9



Jacket spreader - EGA ..... 11



Lead spreader - EVP EV HTB ..... 12



Cable handler - CAS ..... 13



Double cut for outer jacket - DM25-60-DC..... 14

Single cut for outer jacket - DM..... 15

Single cut (alarmed) for outer jacket - DMS ..... 16

Semi-conductor remover on outer jacket - AUG5/60-160 ..... 17

## SEMI-CONDUCTOR ..... 19

See also multifunctions tools CAMF5, CMF4, CMF5, AML and C/PP



LHS ..... 21



Restore cylindrical shape - ASR..... 22

Restore cylindrical shape with superior finition - ASR/F ..... 23

## INSULATION ..... 25

See also multifunctions tools CAMF5, CMF4, CMF5, AML and C/PP



LH ..... 27

**CHANNEL & CONE ON INSULATION ..... 29**

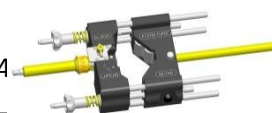
Cone on insulation **NO SILICONE** - CHN - NS ..... 31

Cone finishing - TC ..... 32

Channel - LHP ..... 33

Channel **NO SILICONE** - LHP5 NS ..... 34

Choice of blades for LHP tools ..... 35



**MULTIFUNCTIONS (SEMI-CONDUCTOR + INSULATION) ..... 39**

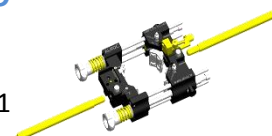
**SUPER FINITION + NO SILICONE** - CAMF5/55-160-NS ..... 41

**NO SILICONE** - CMF4/60-110-NS CMF5/100-160-NS ..... 42

K7/FSC (pour MF4/60-110-NS et MF5/100-160-NS) ..... 43

ASI/40-80 ..... 44

GRI-RTE ..... 45



**MOTORIZED MULTIFUNCTIONS (SEMI-CONDUCTOR + INSULATION) 47**

AML ..... 49

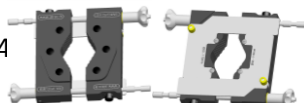
Blade add-on to remove insulation - K7i/ ..... 50

Electrical sander - C/PP ..... 51

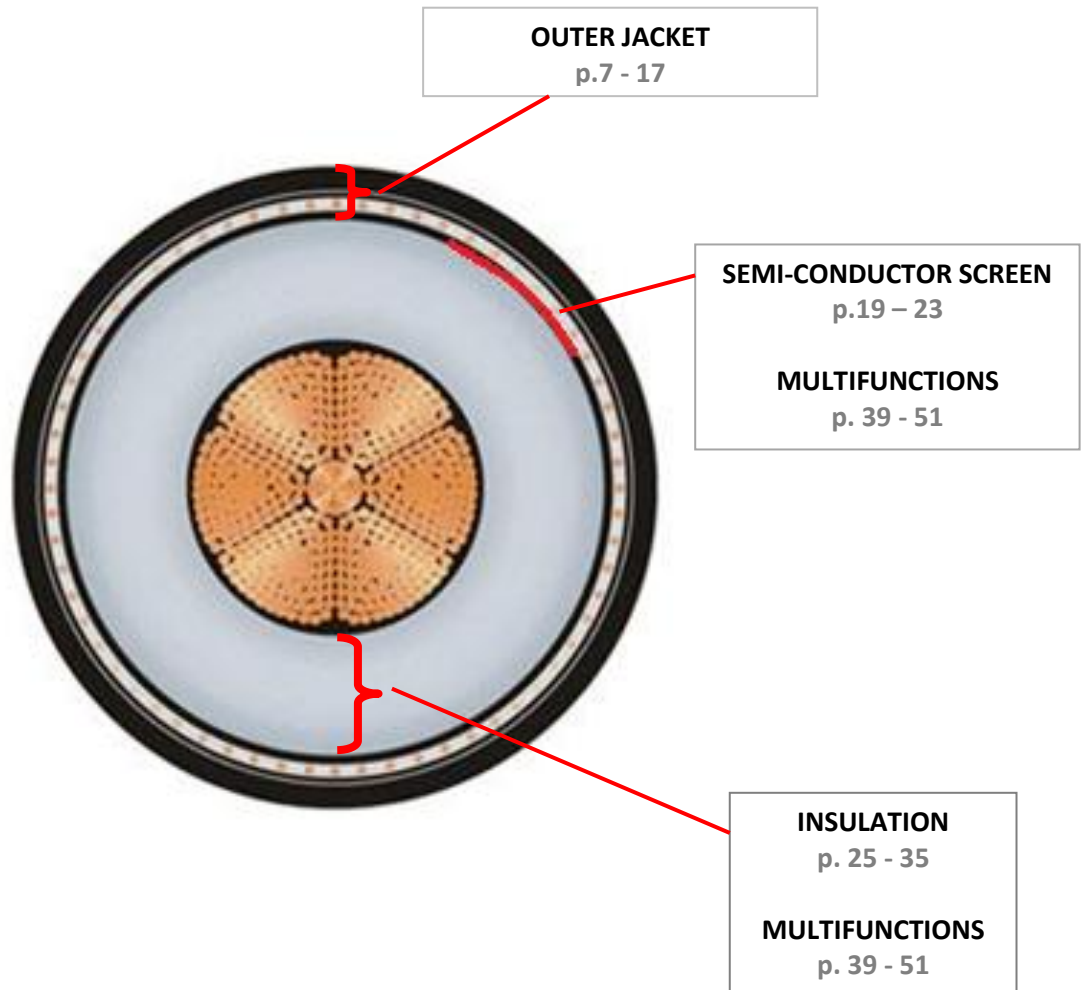


**CABLE CLAMP ..... 53**

For  $\varnothing > 50\text{mm}$ , cable clamp for all HTB ALROC tools - BMFD/50-160 .... 54



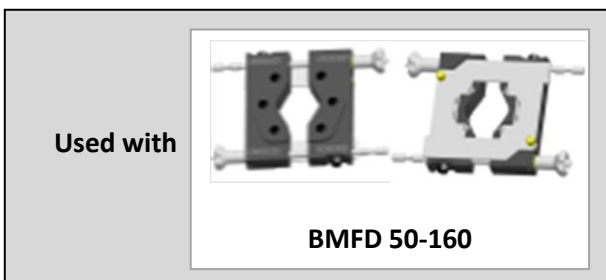
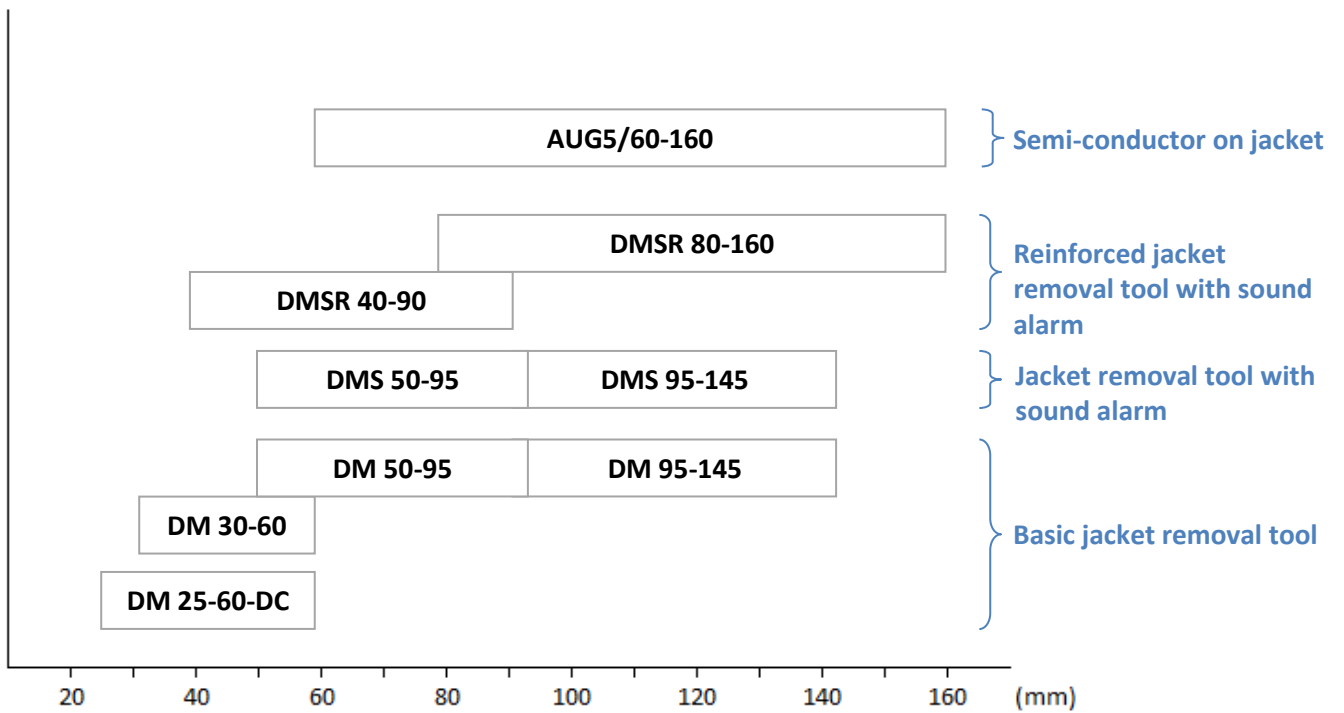
**SAV ..... 55**





# **OUTER JACKET**

# Product range overview







# HV – Outer Jacket DMSR



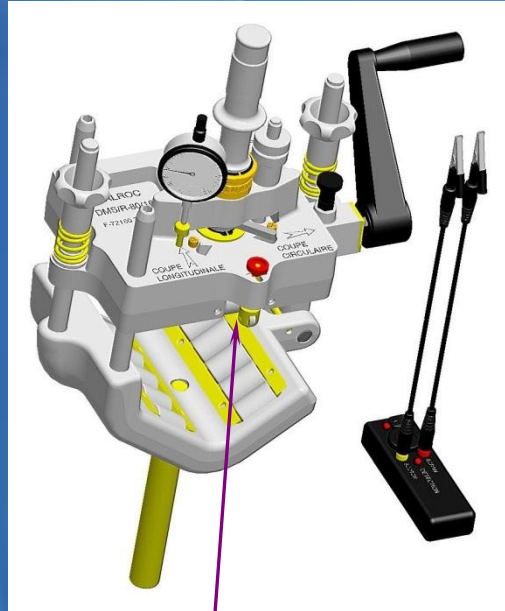
D  
M  
S  
R



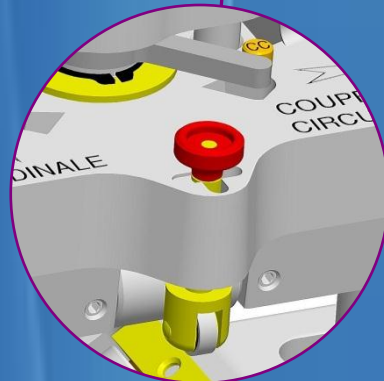
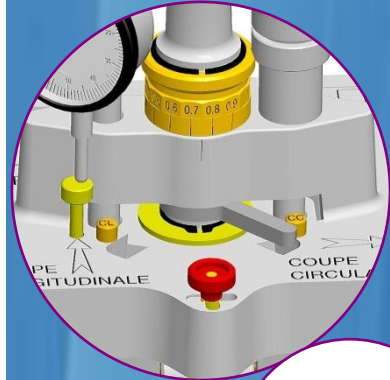
Z.I de la  
fonderie  
72160 Tuffé  
FRANCE

Tel:  
+33 (0)2 43 71 11 80  
Fax:  
+33 (0)2 43 71 16 51

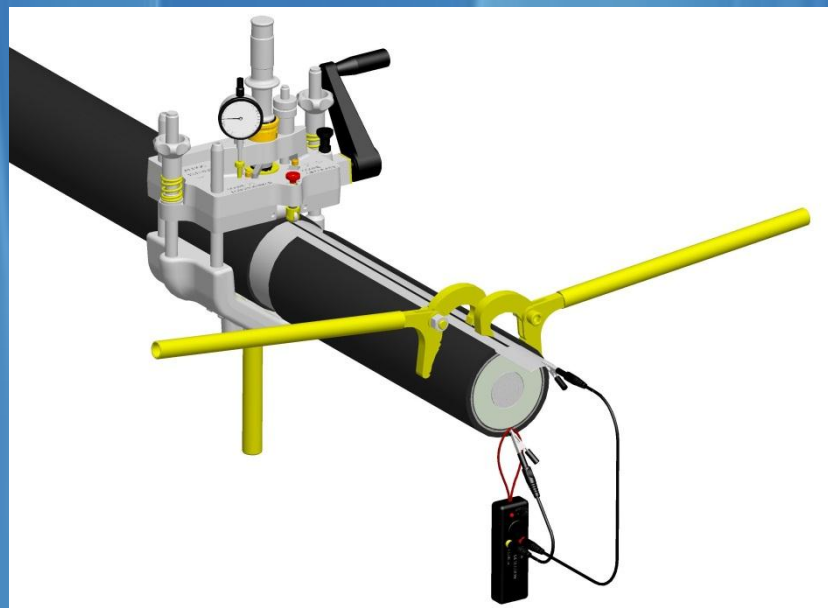
www.alroc.fr  
commercial@alroc.fr



☞ New steel reinforced position indicator for circular & longitudinal cut



☞ Incorporated detection system rolls on an adhesive aluminium tape

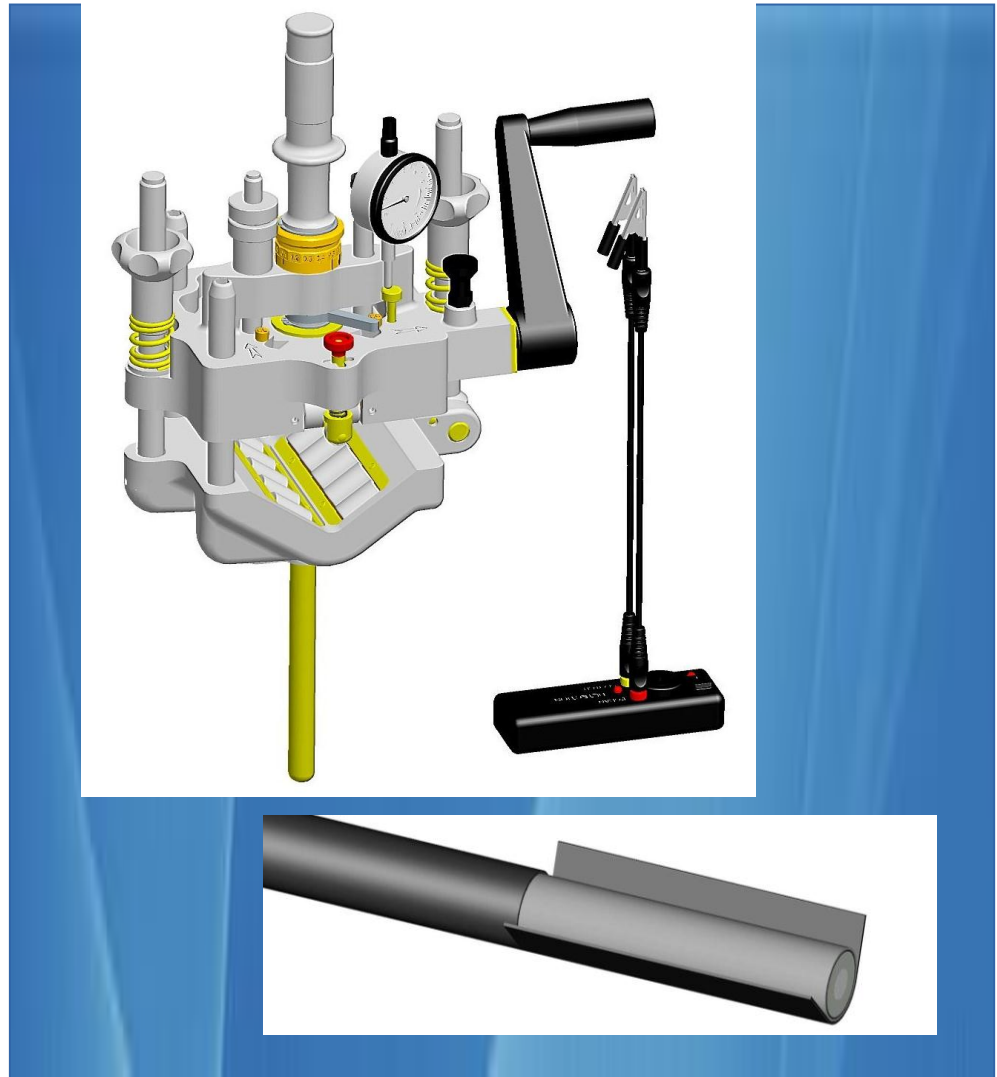




# HV – Outer Jacket DMSR



D  
M  
S  
R



Z.I de la  
fonderie  
72160 Tuffé  
FRANCE

Tel:  
+33 (0)2 43 71 11 80  
Fax:  
+33 (0)2 43 71 16 51

www.alroc.fr  
commercial@alroc.fr

FUNCTIONS	CHARACTERISTICS
<p>The DMSR 40/90 is specially designed to remove the HDPE outer sheath also lead sheath of every thickness on high voltage cables. The DMS/R is very solid to remove heavy outer sheath. A comparator allow a precise cutting of the alu or lead .sheath.</p>	<ul style="list-style-type: none"> <li>✦ Removes the outer jacket</li> <li>✦ Change of longitudinal to circular cutting without loosing tool from the cable.</li> <li>✦ Comparator for a precise cutting</li> </ul>
	<p>L : 370 mm    Weight : 7.7kg</p>
	<p>l : 155 mm</p>

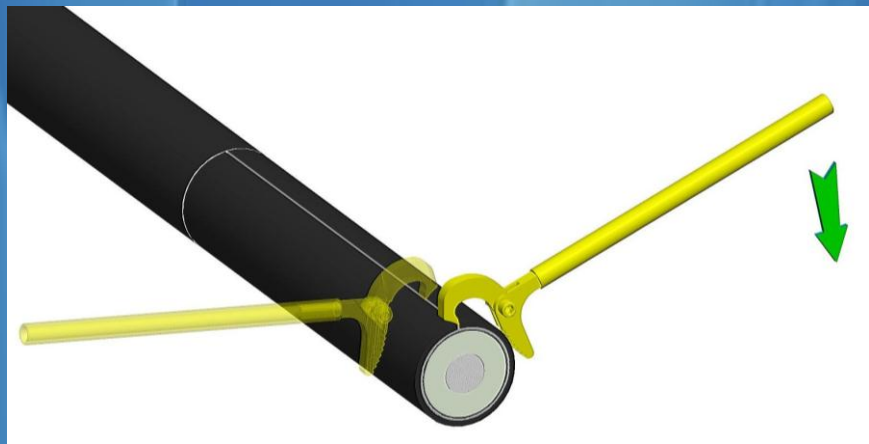
Réf :	Cable diameter capacity	Max cutting depth	Dimension	Weight
DMSR/40-90	40 - 90mm	11mm	370 x 155mm	7,7kg
DMSR/80-160	80 - 160mm	11mm	400 x 160mm	10,5kg



# HV – Outer Jacket EGA



E  
G  
A



Z.I de la  
fonderie  
72160 Tuffé  
FRANCE

Tel:  
+33 (0)2 43 71 11 80  
Fax:  
+33 (0)2 43 71 16 51

www.alroc.fr  
commercial@alroc.fr

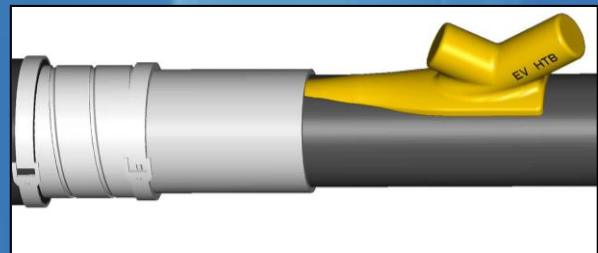
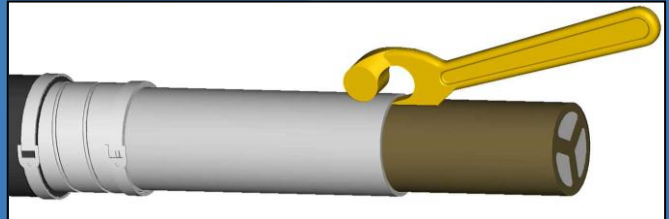
FUNCTIONS	CHARACTERISTICS
<p>EGA tool allows to spread and to remove the outer sheath from HV cables after realization of longitudinal and circular cut.</p>	<p>Outer sheath spreading from HV cables.</p> <p><u>Note</u> : for more facility, spread the outer sheath using a pair of EGA.</p> <p>L : 430 mm    Weight : 1,2 kg l : 120 mm H : 40 mm</p>



# HV – Lead Outer Jacket EVP EV HTB



E  
V



**ALROC**

Z.I de la  
fonderie  
72160 Tuffé  
FRANCE

Tel:  
+33 (0)2 43 71 11 80  
Fax:  
+33 (0)2 43 71 16 51

www.alroc.fr  
commercial@alroc.fr

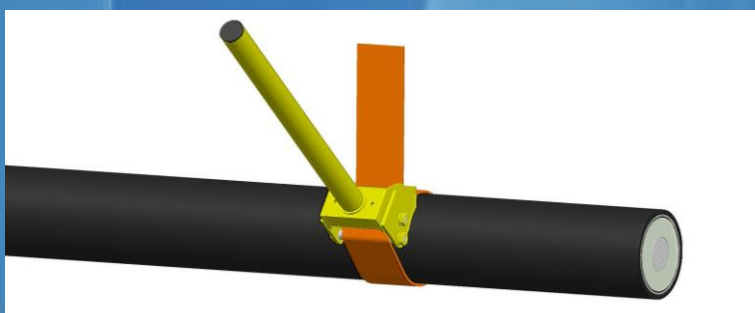
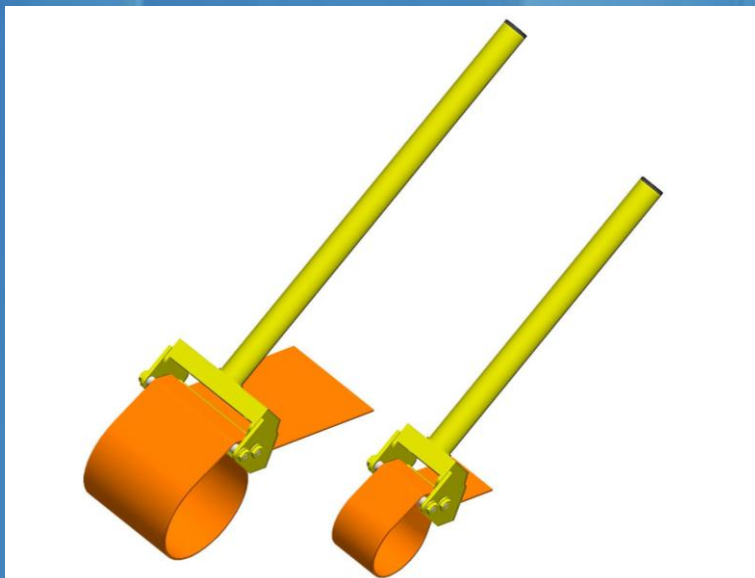
FUNCTIONS	CHARACTERISTICS
<p>EVP and EV-HTB spreaders facilitate the lead spreading in regards to the semi-conductive sheet.</p>	<p>Lead sheath spreading EVP for LV and MV cables EV-HTB for HV cables</p>



## HV – Outer Jacket CAS



C  
A  
S



**ALROC**

Z.I de la  
fonderie  
72160 Tuffé  
FRANCE

Tel:  
+33 (0)2 43 71 11 80  
Fax:  
+33 (0)2 43 71 16 51

www.alroc.fr  
commercial@alroc.fr

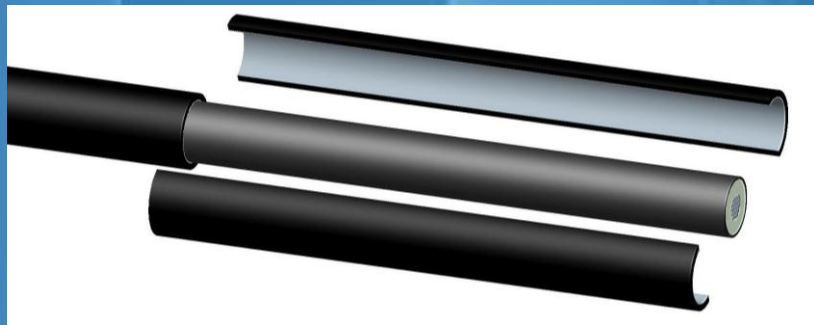
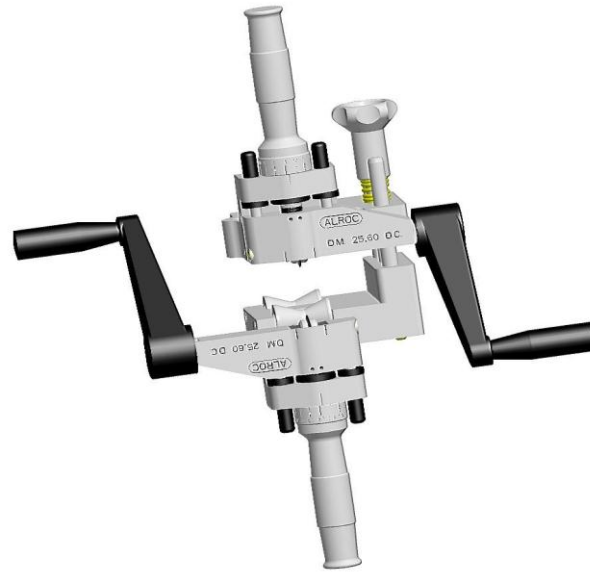
FUNCTIONS		CHARACTERISTICS	
The key strap CAS can handle HV cables without damaging them.		☞ Handling cables	
Ref :	Width of strap	Lenght of the handle	Weight
CAS/1	75 mm	450 mm	3 kg
CAS/2	150 mm	600 mm	4.5 kg



# HV – Outer Jacket DM25-60-DC



D  
M  
25-  
60-  
DC



Z.I de la  
fonderie  
72160 Tuffé  
FRANCE

Tel:  
+33 (0)2 43 71 11 80  
Fax:  
+33 (0)2 43 71 16 51

www.alroc.fr  
commercial@alroc.fr

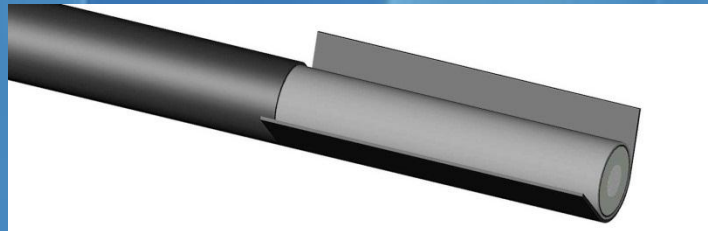
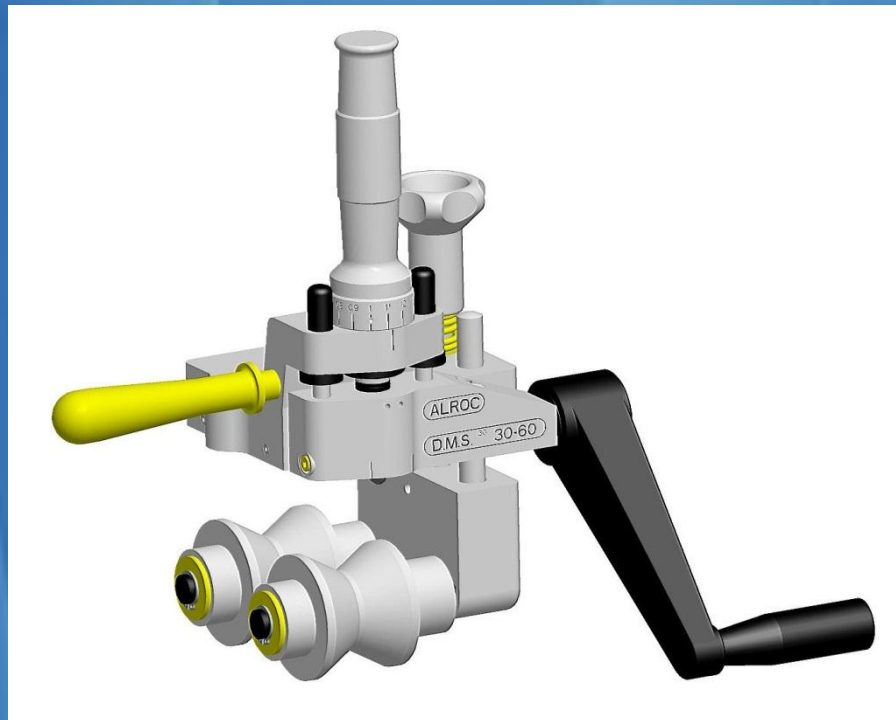
FUNCTIONS	CHARACTERISTICS
<p>The DM25/60 tool is designed to realize a longitudinal cut to remove HDPE outer jackets as well as lead sheath.</p> <p><u>Application example</u> : Outer sheath control on drum in factory.</p>	<ul style="list-style-type: none"> <li>☞ Circular and longitudinal cutting on cable's outer sheath.</li> <li>☞ Sold in plastic case</li> <li>☞ Capacity : Ø25 - 60mm</li> <li>☞ maximum cutting depth: 7mm</li> </ul> <p>L : 500 mm                      Weight: 6.7kg I : 300 mm H : 220 mm</p>



# HV – Outer Jacket DM



D  
M



Z.I de la  
fonderie  
72160 Tuffé  
FRANCE

Tel:  
+33 (0)2 43 71 11 80  
Fax:  
+33 (0)2 43 71 16 51

www.alroc.fr  
commercial@alroc.fr

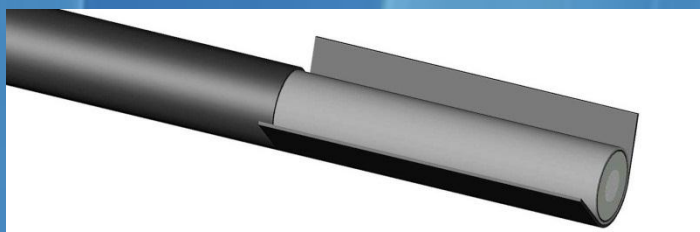
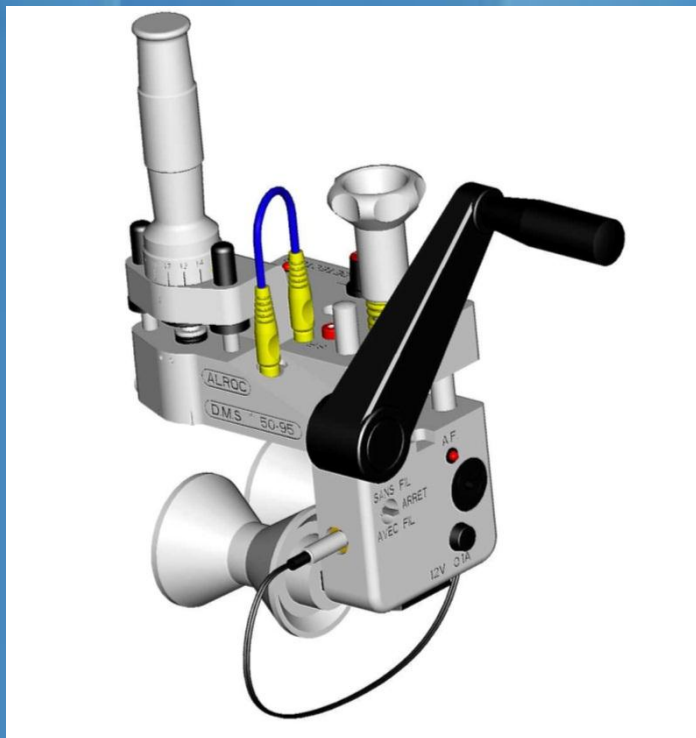
FUNCTIONS		CHARACTERISTICS	
The DM is designed to remove PEHD or lead o of variable thickness from high voltage cables.		Removes outer sheath from high voltage cables  Supplied with plastic case	
Cable diameter	Max thickness	Ref :	Weight
30 - 60 mm	7 mm	DM 30-60	4.1 kg
50 - 95 mm	7 mm	DM 50-95	4.3 kg
95 - 145 mm	11 mm	DM 95-145	5.0 kg



## HV – Outer Jacket DMS



D  
M  
S



**ALROC**

Z.I de la  
fonderie  
72160 Tuffé  
FRANCE

Tel:  
+33 (0)2 43 71 11 80  
Fax:  
+33 (0)2 43 71 16 51

www.alroc.fr  
commercial@alroc.fr

FUNCTIONS		CHARACTERISTICS	
The DMS is designed to remove polyethylene jackets of variable thickness from high voltage cables.		Removes outer sheath from high voltage cables	
The incorporated sound alarm system warns when the blade is in contact with the lead/ aluminium shield.		Audible sound indication when metallic shield is reached	
		Supplied with plastic case	
Cable diameter	Max thickness	Ref :	Weight
50 - 95 mm	7 mm	DMS 50-95	4 kg
95 - 145 mm	11 mm	DMS 95-145	5 kg

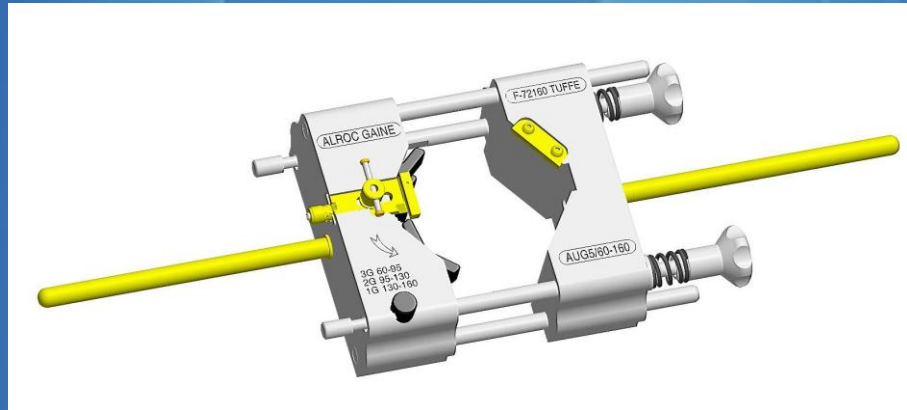




# HV – Outer Jacket AUG5/60-160



A  
U  
G  
5  
/  
60-  
160



Z.I de la  
fonderie  
72160 Tuffé  
FRANCE

Tel:  
+33 (0)2 43 71 11 80  
Fax:  
+33 (0)2 43 71 16 51

www.alroc.fr  
commercial@alroc.fr

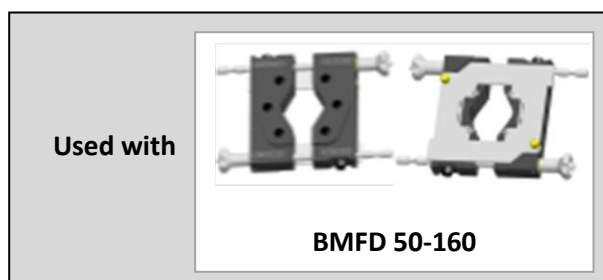
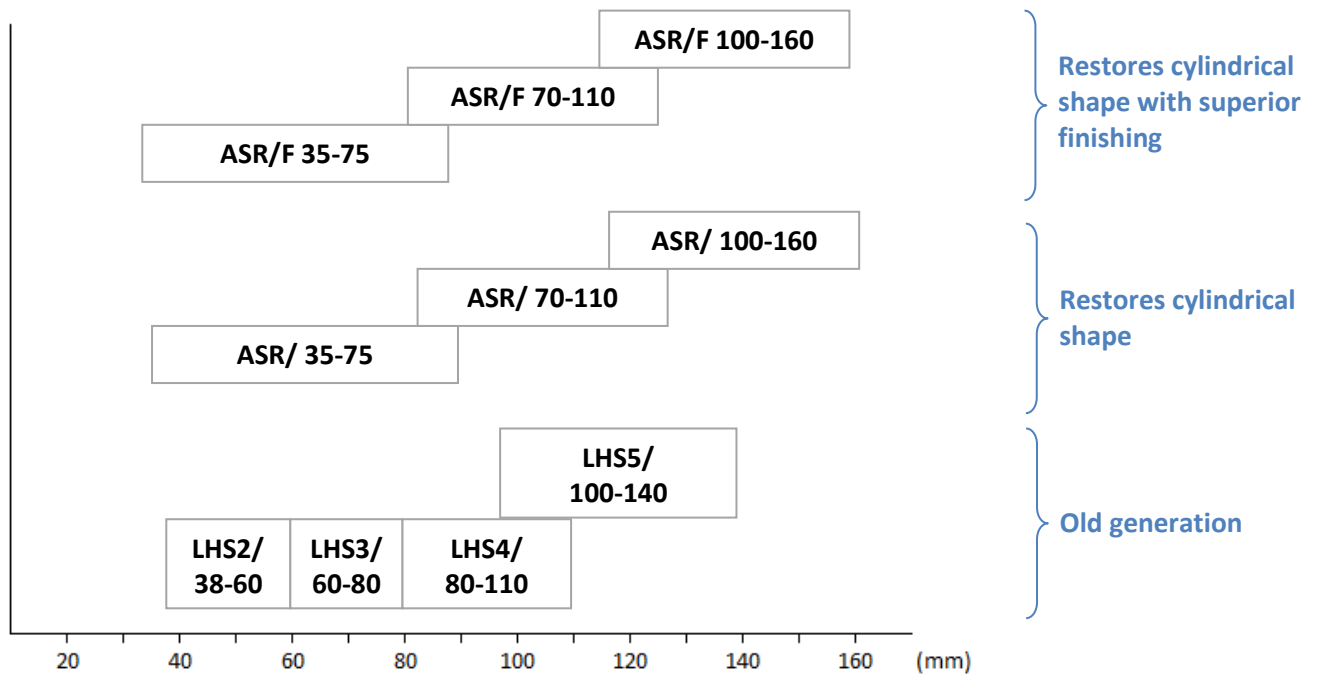
FUNCTIONS	CHARACTERISTICS
<p>The AUG5/60-160 tool can be used for peeling the bonded semi-conductor for cable preparations.</p>	<p>Removing outer sheath</p> <p>Minimal peeling thickness: 2mm</p> <p>Capacity: 60 - 160mm Ø</p> <p>L : 640 mm Weight : 8.6 kg l : 226 mm H : 113 mm</p>





# **SEMI-CONDUCTOR SCREEN**

## Product range overview

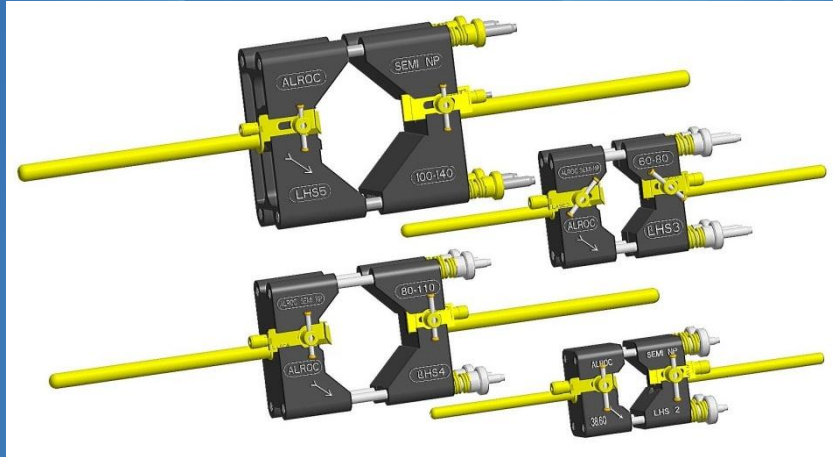




# HV – BONDED SEMI-CONDUCTOR LHS



L  
H  
S



Z.I de la  
fonderie  
72160 Tuffé  
FRANCE

Tel:  
+33 (0)2 43 71 11 80  
Fax:  
+33 (0)2 43 71 16 51

www.alroc.fr  
commercial@alroc.fr

FUNCTIONS	CHARACTERISTICS
LH tools remove Bonded semi-conductor leaving a correct finishing on the insulation.	Bonded semi-conductor screen removal

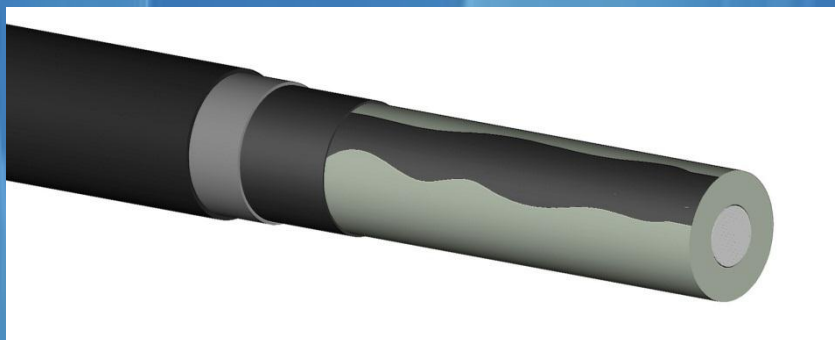
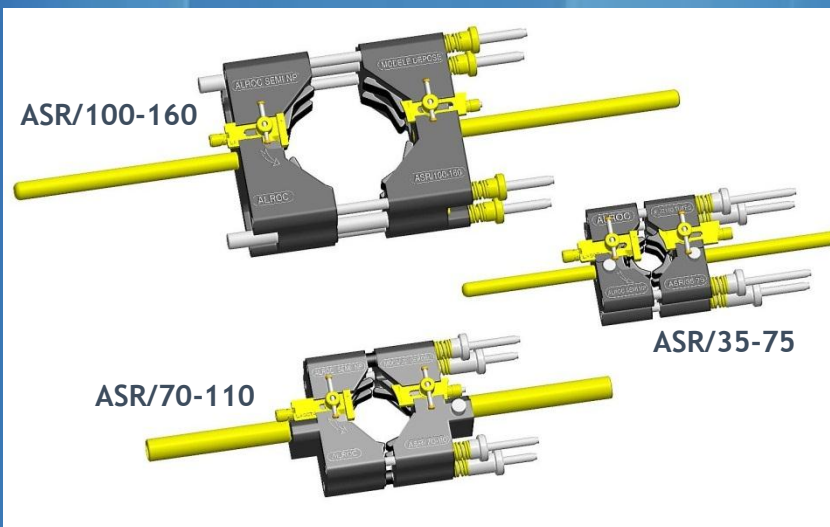
Semi-conductor diameter	Ref :	Weight
38 - 60 mm	LHS2	2 kg
60 - 80 mm	LHS3	3 kg
80 - 110 mm	LHS4	4,5 kg
100 - 140 mm	LHS5	6,5 kg



# HV – BONDED SEMI-CONDUCTOR ASR



A  
S  
R



Z.I de la  
fonderie  
72160 Tuffé  
FRANCE

Tel:  
+33 (0)2 43 71 11 80  
Fax:  
+33 (0)2 43 71 16 51

www.alroc.fr  
commercial@alroc.fr

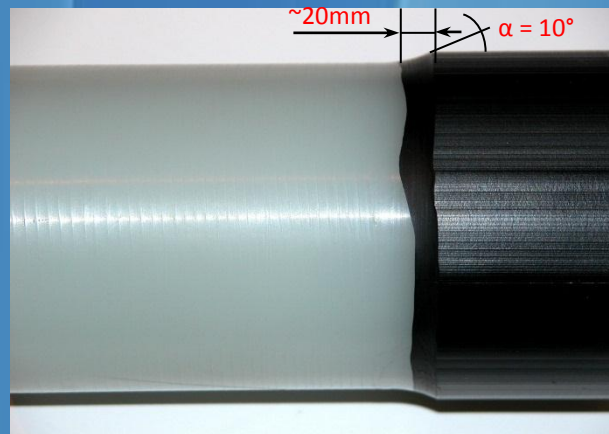
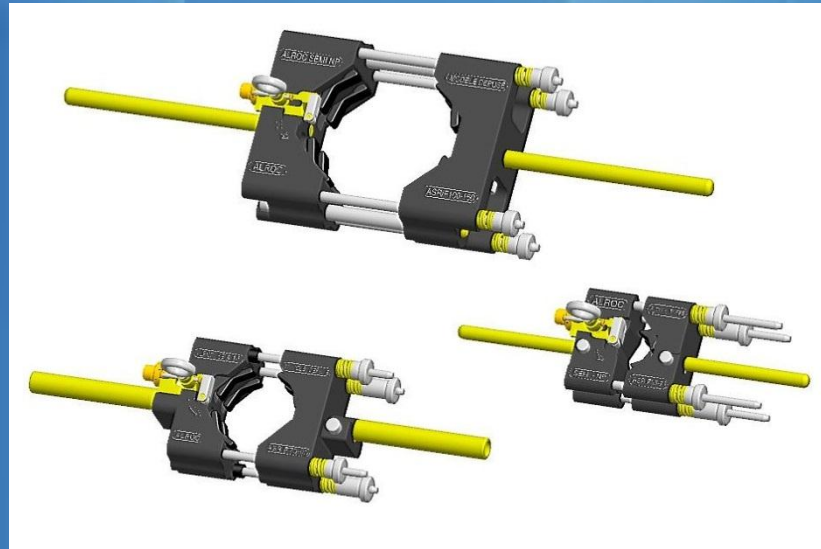
FUNCTIONS		CHARACTERISTICS
The ASR tool allows to remove the bonded semi-conductor without damaging the insulation layer, especially suited when the cable is not perfectly cylindrical.		<ul style="list-style-type: none"> <li>☞ Removes the bonded semi-conductor screen</li> <li>☞ Reshape cable to a cylindrical form on the insulation</li> </ul>
Diameter on the semi-conductor screen	Ref :	Weight
35 - 75 mm	ASR/35-75	3 kg
70 - 110 mm	ASR/70-110	4,6 kg
100 - 160 mm	ASR/100-160	9,8 kg



# HV – BONDED SEMI-CONDUCTOR ASR/F



A  
S  
R  
/F



Z.I de la  
fonderie  
72160 Tuffé  
FRANCE

Tel:  
+33 (0)2 43 71 11 80  
Fax:  
+33 (0)2 43 71 16 51

www.alroc.fr  
commercial@alroc.fr

FUNCTIONS	CHARACTERISTICS
<p>The ASR tool allows to remove the bonded semi-conductor without damaging the insulation layer, especially suited when the cable is not perfectly cylindrical.</p> <p>In addition to the above, the finition is superior to the ASR tool.</p>	<ul style="list-style-type: none"> <li>☞ Removes the bonded semi-conductor screen</li> <li>☞ Reshape cable to a cylindrical form on the insulation</li> <li>☞ Cone preparation on the bonded semi-conductor</li> <li>☞ Clean surface finish on the insulation</li> <li>☞ Important reduction time through reduced sanding on the insulation</li> </ul>

Diameter on the semi-conductor screen	Ref :	Weight
35 - 75 mm	ASR/F35-75	3,3 kg
70 - 110 mm	ASR/F70-110	4,8 kg
100 - 160 mm	ASR/F100-160	10 kg

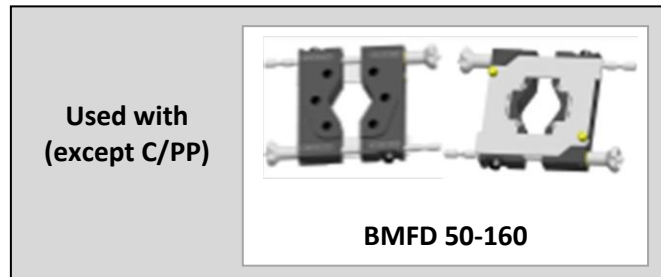
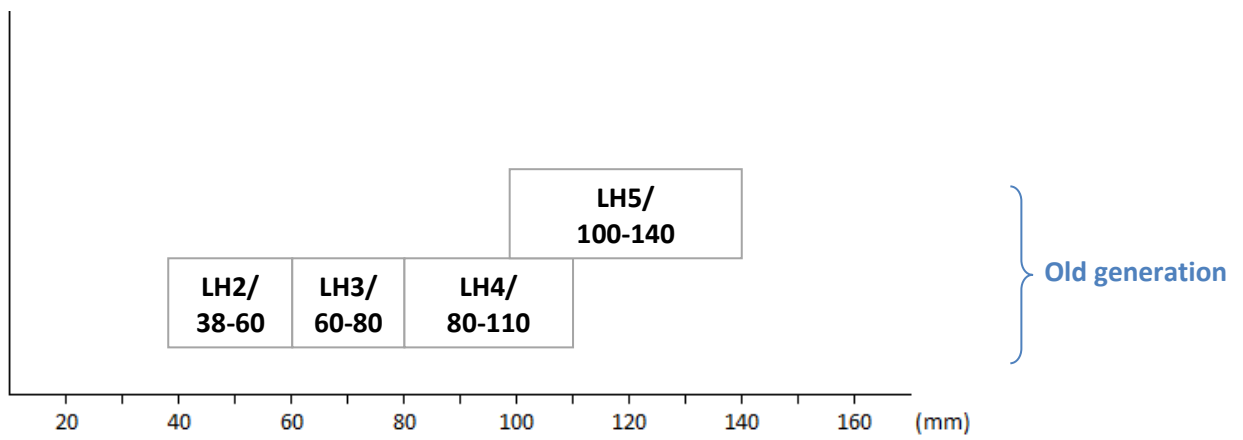






# INSULATION

## Product range overview

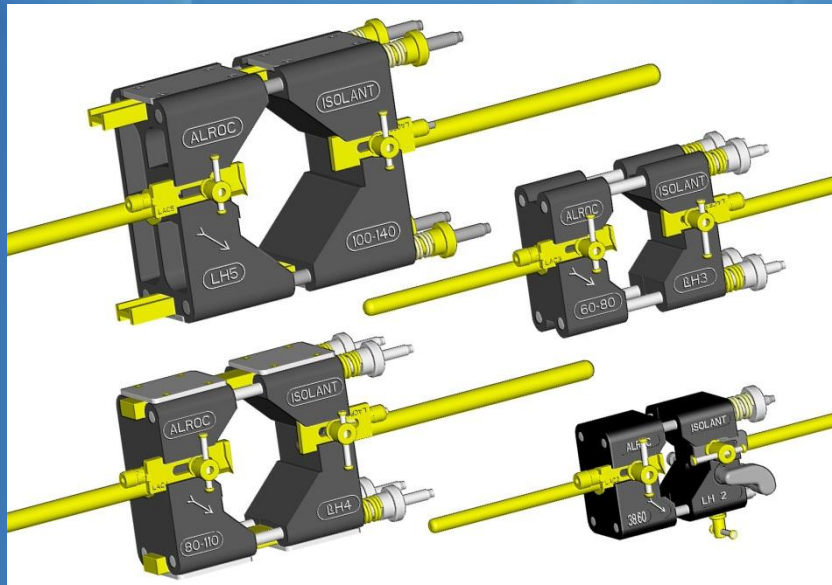




# HV – BONDED SEMI-CONDUCTOR LH



L  
H



FUNCTIONS		CHARACTERISTICS
LH tools remove insulation from HTB cables.		Insulation removal
Cable diameter	Ref :	Weight
38 - 60 mm	LH2	2 kg
60 - 80 mm	LH3	3 kg
80 - 110 mm	LH4	5,9 kg
100 - 140 mm	LH5	8,5 kg

**ALROC**

Z.I de la  
fonderie  
72160 Tuffé  
FRANCE

Tel:  
+33 (0)2 43 71 11 80  
Fax:  
+33 (0)2 43 71 16 51

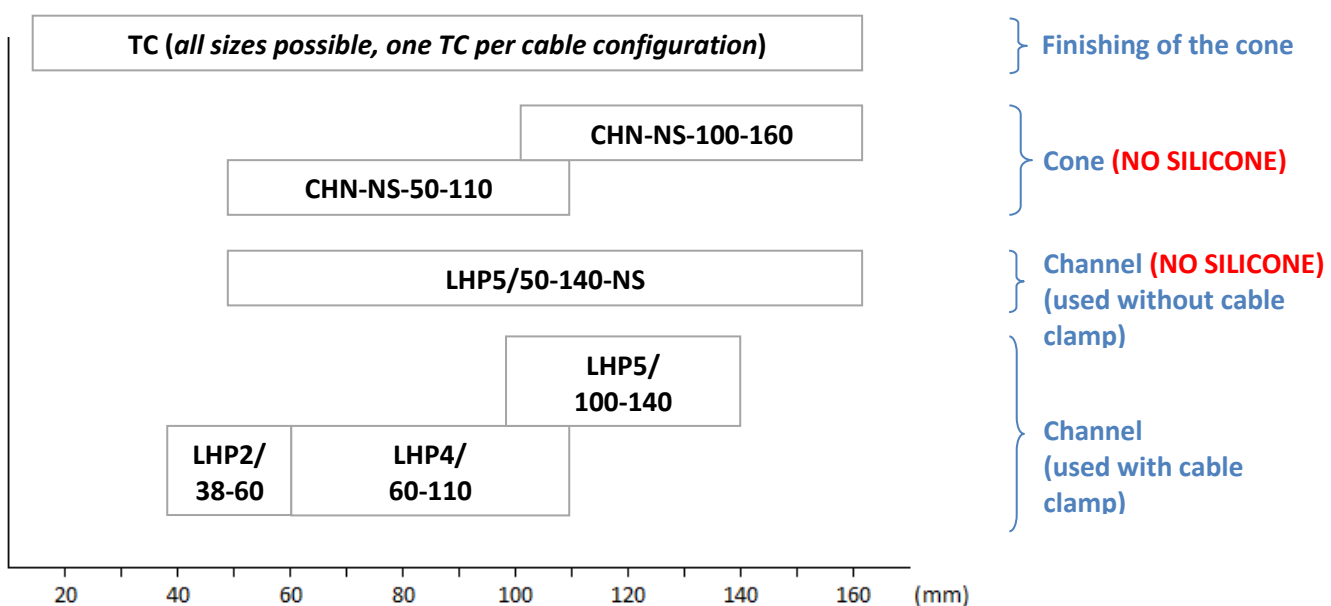
www.alroc.fr  
commercial@alroc.fr





# **CHANNEL & CONES ON INSULATION**

## Product range overview

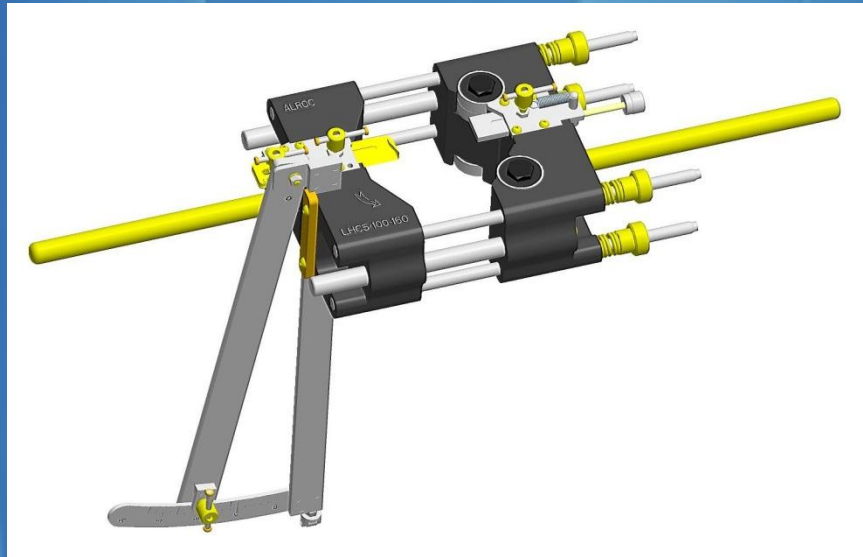




# HV - INSULATION CHN - NS



C  
H  
N  
-  
NS



Z.I de la  
fonderie  
72160 Tuffé  
FRANCE

Tel:  
+33 (0)2 43 71 11 80  
Fax:  
+33 (0)2 43 71 16 51

www.alroc.fr  
commercial@alroc.fr

FUNCTIONS	CHARACTERISTICS
LHC-NS tools allow to perform a straight cutting or tapers on cable insulation. <b>Use of tool without lubrication.</b>	Taper realization on cable insulation  Supplied with cable clamp  Delivered in plastic case

Cable diameter	Ref :	Weight
50 - 110 mm	CHN4/60-110-NS	7.6 kg
100 - 160 mm	CHN5/100-160-NS	13.3 kg



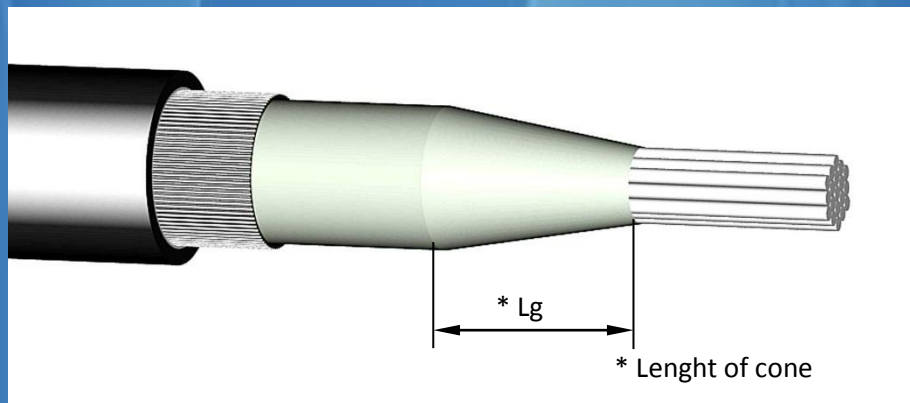
# HV - INSULATION TC



T  
C



Cones are customized



Z.I de la  
fonderie  
72160 Tuffé  
FRANCE

Tel:  
+33 (0)2 43 71 11 80  
Fax:  
+33 (0)2 43 71 16 51

www.alroc.fr  
commercial@alroc.fr

FUNCTIONS	CHARACTERISTICS
ALROC-TC tools taper the insulation	<ul style="list-style-type: none"> <li>☞ TC tool is calibrated per cable section</li> <li>☞ Standard taper length : 30 to 40 mm</li> <li>☞ Ask for special taper lengths : 65 mm,95 mm,120 mm</li> </ul>

Tension	Conductor section	Cone length
6 / 10 kV	10 <sup>2</sup> - 240 <sup>2</sup>	30 - 40mm
8.7 / 15 kV	25 <sup>2</sup> - 630 <sup>2</sup>	
12 / 20 kV	25 <sup>2</sup> - 630 <sup>2</sup>	
18 / 30 kv 36 kv And above	50 <sup>2</sup> - 1300 <sup>2</sup> Consult us	40 - 65 - 95 - 120mm

\* Sections are given for illustrative purposes for cable tensions of 12 and 20kV

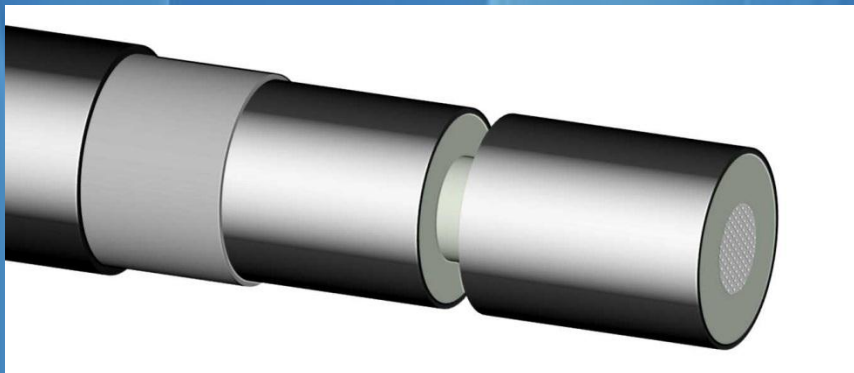
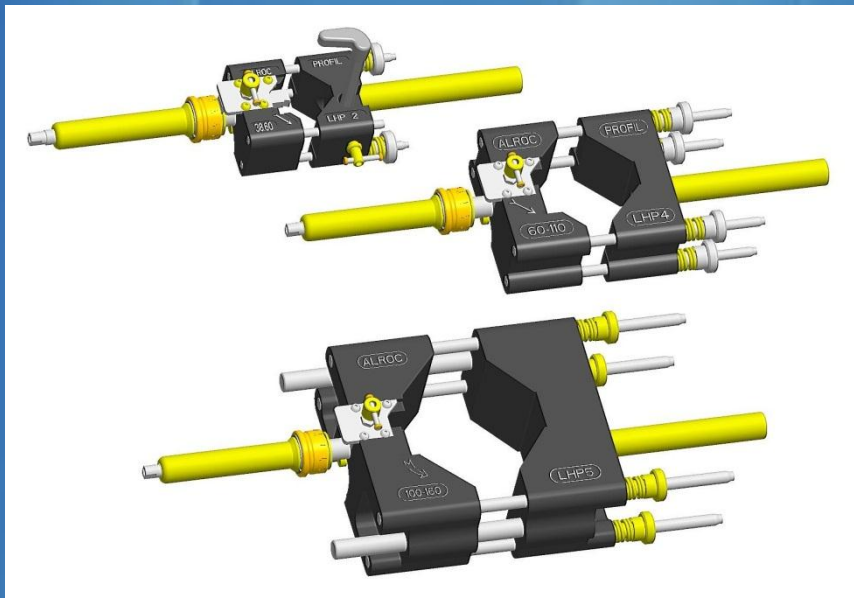




# HV - INSULATION LHP



L  
H  
P



Z.I de la  
fonderie  
72160 Tuffé  
FRANCE

Tel:  
+33 (0)2 43 71 11 80  
Fax:  
+33 (0)2 43 71 16 51

www.alroc.fr  
commercial@alroc.fr

FUNCTIONS	CHARACTERISTICS
<p>The LHP tool allows to remove a part of the insulation and the semi-conductor to make a channel or a groove form.</p>	<p>Realization of a groove in the insulation. Various blades add-ons can be mounted to realize any groove or channel shape. Requires a cable clamp to be operated (sold separately).</p>

**Blades add-ons and blocks are sold separately**

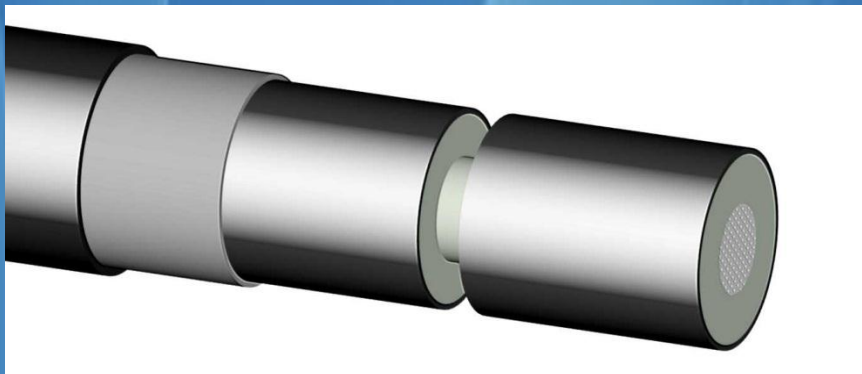
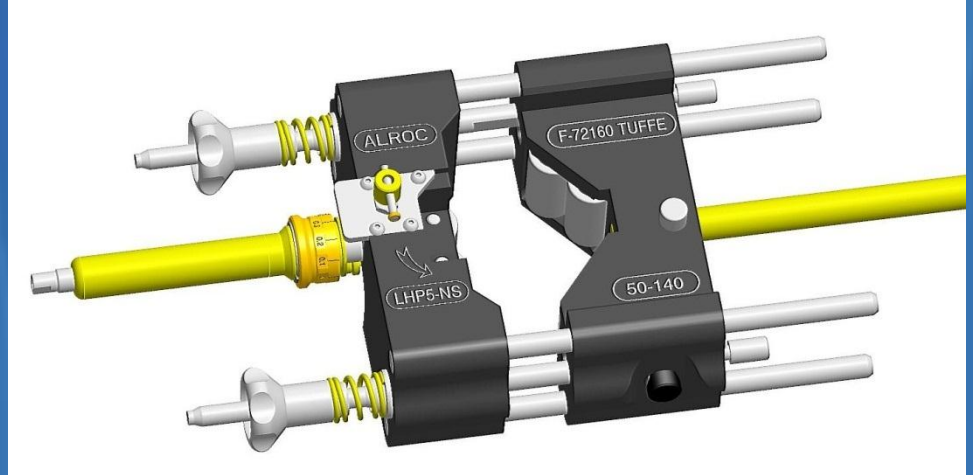
Cable diameter on insulation	Ref :	Weight
38 - 60 mm	LHP2	2,7 kg
60 - 110 mm	LHP4	4,5 kg
100 - 160 mm	LHP5	10,5 kg



# HV - INSULATION LHP5 NS



L  
H  
P  
5  
-  
NS



## ALROC

Z.I de la  
fonderie  
72160 Tuffé  
FRANCE

Tel:  
+33 (0)2 43 71 11 80  
Fax:  
+33 (0)2 43 71 16 51

www.alroc.fr  
commercial@alroc.fr

FUNCTIONS	CHARACTERISTICS
<p>The LHP5/50-140-NS tool allows to remove a part of the insulation and the semi-conductor to make a channel or a groove form.</p> <p><b>This tool is used without lubrication.</b></p>	<p>Realization of a groove in the insulation.</p> <p>Unlike the standard LHP tool, the LHP5 NS does not require a cable clamp to be operated.</p> <p>Delivered in plastic case.</p> <p>Capacity : Ø50 - 160mm  L : 610 mm Weight : 10.1 kg  l : 226 mm  H : 122 mm</p> <p><b>Blades add-ons are sold separately</b></p>

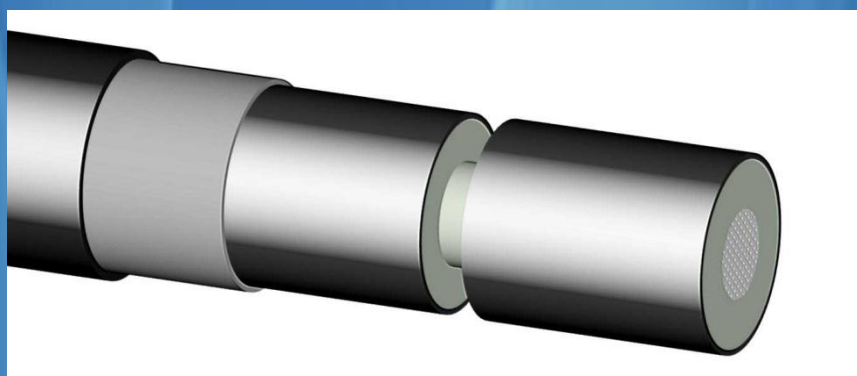
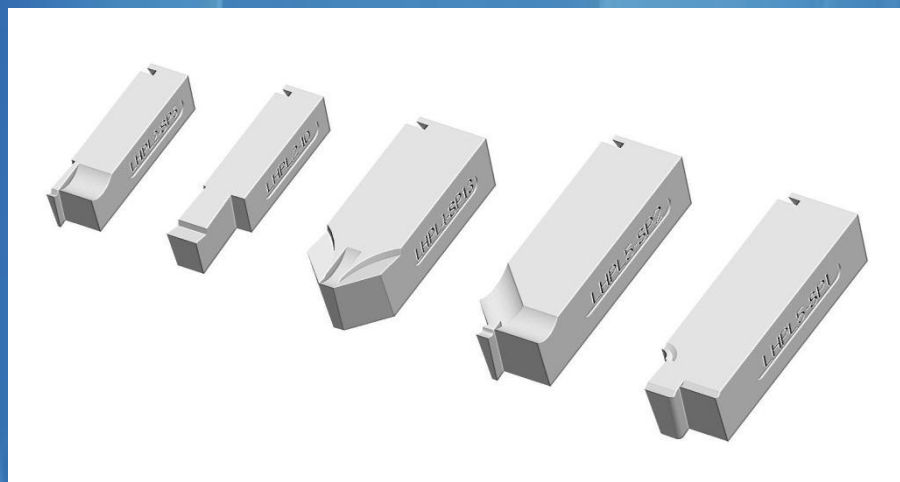


# HV - INSULATION

## Choix des lames pour LHP



L  
H  
P  
L



Z.I de la  
fonderie  
72160 Tuffé  
FRANCE

Tel:  
+33 (0)2 43 71 11 80  
Fax:  
+33 (0)2 43 71 16 51

www.alroc.fr  
commercial@alroc.fr

FUNCTIONS	CHARACTERISTICS
LHPL add-on blades are fitted on ALROC tools referenced LHP to perform a channel or a groove form on the insulation of HV cables.	Realization of a channel on the insulation  All groove forms and profiles upon request.
<b>Blades add-ons and blocks are sold separately.</b>	

Tool	Tool capacity	Reference
LHP2	Ø38 - 60 mm	LHPL2-...
LHP4	Ø60 - 110 mm	LHPL4-...
LHP5	Ø100 - 160 mm	LHPL5-...
LHP5 NS	Ø50 - 140 mm	LHPL5 NS -...



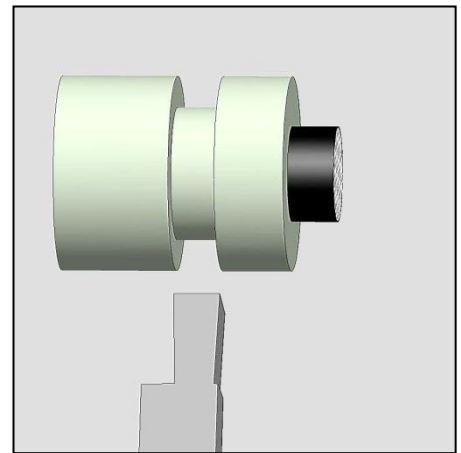
# HV - INSULATION

## Choix des lames pour LHP

### 1- Blade for single groove

Blade reference	For tool :		
	LHP2 B maxi = 21	LHP4 B maxi = 30	LHP5 B maxi = 35
A (mm)			
5	LHPL2-5	LHPL4-5	LHPL5-5
10	LHPL2-10	LHPL4-10	LHPL5-10
15 (14 for LHP2)	LHPL2-14	LHPL4-15	LHPL5-15
20		LHPL4-20	LHPL5-20
25		LHPL4-25	LHPL5-25

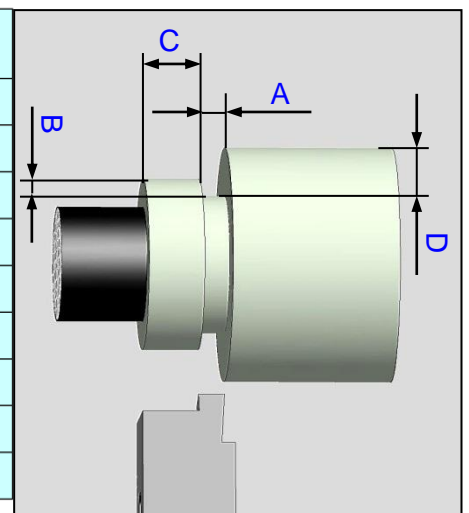
Other dimensions upon request



### 2- Blade for shouldered groove

Blade reference	A	B	C maxi	D maxi	For tool
LHPL2-SP5	2.5	3	11	15	LHP2
LHPL2-SP6	4	4	9.5	15	LHP2
LHPL4-SP6	10	3	13	30	LHP4
LHPL4-SP10	7	4.5	15	13	LHP4
LHPL4-SP11	7	5	15	13	LHP4
LHPL4-SP12	6	4	14.5	16	LHP4
LHPL4-SP14	4	4	20.5	16	LHP4
LHPL5-SP4	6	4	14.5	16	LHP5
LHPL5-SP5	4	4	20.5	16	LHP5

All other dimensions upon request



- ☞ The tools must be used when the cable is out of tension by skilled workers who are competent in cable preparation and know about electrical phenomena.
- ☞ Wearing anti-cut gloves is obligatory.
- ☞ Clean the tools after each utilization.

ALROC S.A.S - ZI de la Fonderie - 72160 TUFFE - FRANCE - Tél : 02.43.71.11.80 - Fax : 02.43.71.16.51  
Internet : www.alroc.fr - Email : commercial@alroc.fr -

S.A.S au capital de 800000€ - 341 050 987 RCS LE MANS - SIRET 341 050 987 00013 - APE 2453Z - TVA/FR 77 341 050 987



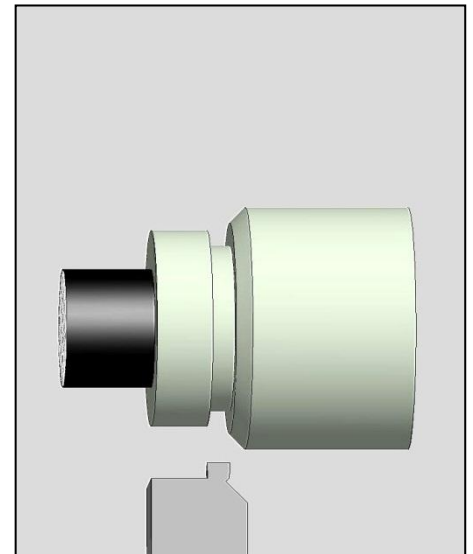
# HV - INSULATION

## Choix des lames pour LHP

### 3- Blade for shouldered groove with chamfer

Blade reference	A	B	C maxi	D	E	For tool :
LHPL2-SP3	2.7	3	6.25	7	4	LHP2
LHPL2-SP4	4	3	5.6	5	2	LHP2
LHPL4-SP2	4	4	14.5	10	4	LHP4
LHPL4-SP3	6	4	14.5	10	4	LHP4
LHPL4-SP5	5.25	10	16.75	18.5	3	LHP4
LHPL5-SP2	4	4	14.5	10	4	LHP5
LHPL5-SP3	6	4	14.5	10	4	LHP5

All other dimensions upon request

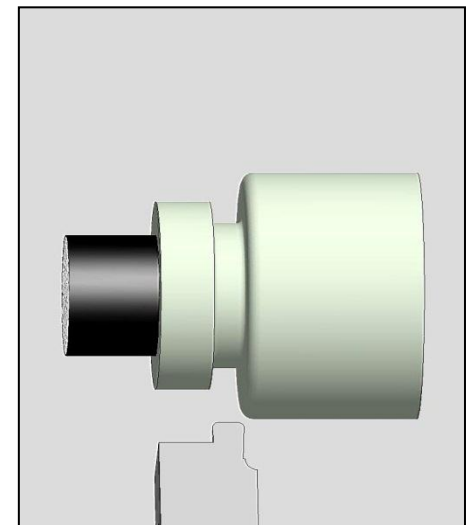


### 4- Blade for shouldered groove with radius

Blade reference	A	B	C maxi	D	E	For tool :
LHPL2-SP1	2.7	3	8.3	8.75	2.5	LHP2
LHPL4-SP7	8.25	5.5	13.75	13	3	LHP4
LHPL5-SP1	10	5	12	16.1	3	LHP5

Radius of 1.5mm in the back of the groove A except for the blade LHPL2-SP1 with sharp edges

All other dimensions upon request



We fabricate all types of blades upon request.  
Please send us a drawing with the desired result

- ☞ The tools must be used when the cable is out of tension by skilled workers who are competent in cable preparation and know about electrical phenomenons.
- ☞ Wearing anti-cut gloves is obligatory.
- ☞ Clean the tools after each utilization.

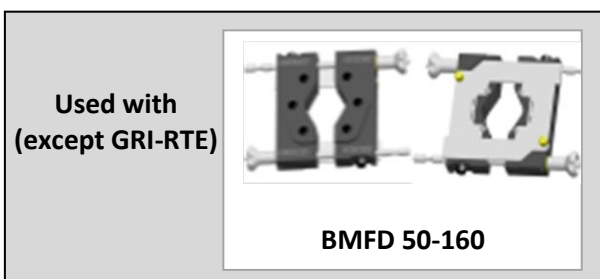
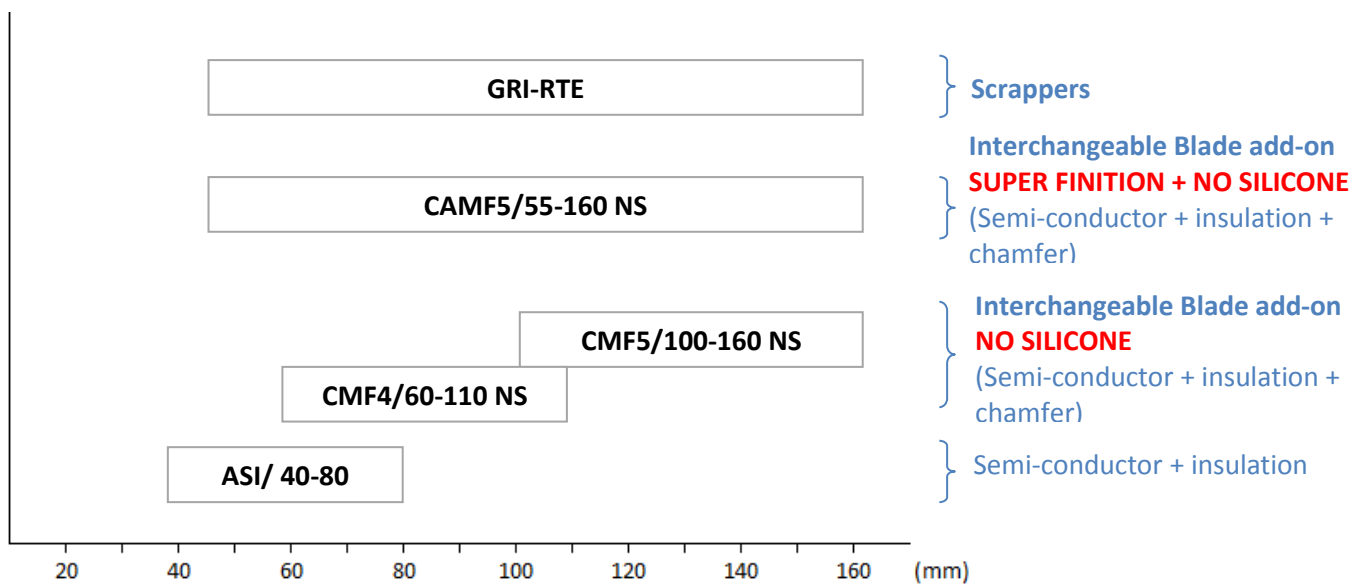




# **MULTIFUNCTIONS**

**(SEMI-CONDUCTOR SCREEN +  
INSULATION)**

## Product range overview



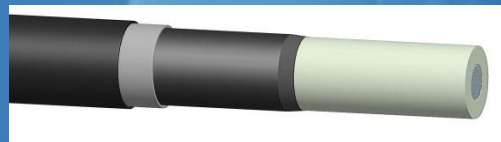
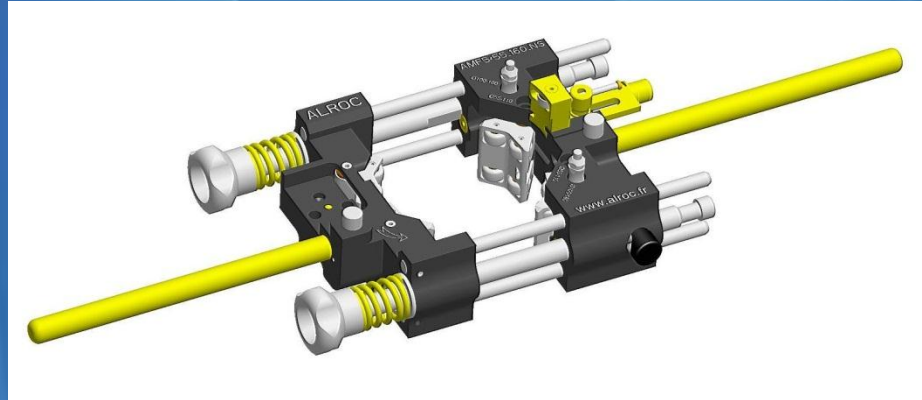




# HV – MULTIFUNCTIONS CAMF5/55-160-NS



C  
A  
M  
F5  
/  
55-  
160  
NS



K7/INS



K7/FNS



Z.I de la  
fonderie  
72160 Tuffé  
FRANCE

Tel:  
+33 (0)2 43 71 11 80  
Fax:  
+33 (0)2 43 71 16 51

www.alroc.fr  
commercial@alroc.fr

FUNCTIONS	CHARACTERISTICS
<p>The CAMF5/55-160-NS tool removes the semiconductor while leaving a very clean surface on the insulation, in addition to stripping the insulation layer</p> <p>As a multi-function tool, additional add-ons allows it to also perform:</p> <ul style="list-style-type: none"> <li>- Chamfer on the insulation</li> <li>- Grooves on the insulation</li> <li>- Increased conical outline on the bonded semi-conductor screen</li> </ul> <p><b>This tool does not require silicone to be operated.</b></p>	<ul style="list-style-type: none"> <li>☞ Covers cable diameter ranging from 55 to 160mm</li> <li>☞ Removal of bonded semiconductor, leaving a conical outline</li> <li>☞ Very clean surface finish</li> <li>☞ Reversible blade</li> <li>☞ Removal of insulation</li> <li>☞ Supplied in plastic case</li> <li>☞ Substantial reduction for time previously needed to sand the insulation</li> </ul> <p>L: 700 mm    Weight : 9.5kg l : 255 mm H : 180 mm</p>

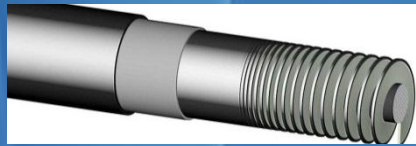
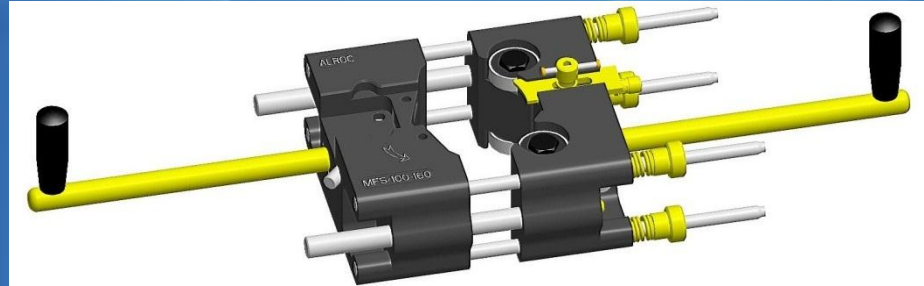


# HV – MULTIFUNCTIONS

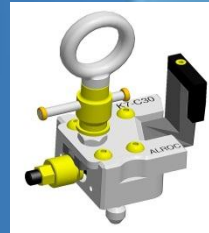
## CMF4/60-110-NS CMF5/100-160-NS



C  
M  
F  
-  
NS



**Optional blade add-on:**



Z.I de la  
fonderie  
72160 Tuffé  
FRANCE

Tel:  
+33 (0)2 43 71 11 80  
Fax:  
+33 (0)2 43 71 16 51

www.alroc.fr  
commercial@alroc.fr

FUNCTIONS	CHARACTERISTICS
<p>CMF* NS tool case allows to remove the bonded semi-conductor and the insulation. It also allows to perform a channel on the insulation from HV cables.</p> <p><b>This tool does not require silicone to be operated.</b></p>	<ul style="list-style-type: none"> <li>☞ Bonded semi-conductor removal</li> <li>☞ Insulation removal</li> <li>☞ Channel realization in the insulation</li> <li>☞ Semi-conductor removal with a very clean surface and a sketch of cone</li> </ul>

Cable diameter	Ref :	Weight
60 - 110 mm	CMF4/60-110-NS	5,6 kg
100 - 160 mm	CMF5/100-160-NS	11,4 kg

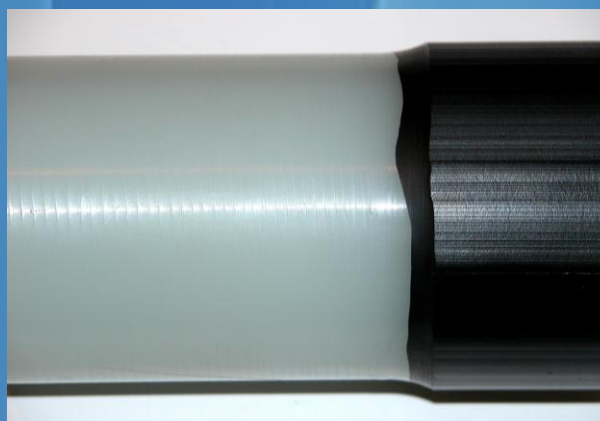
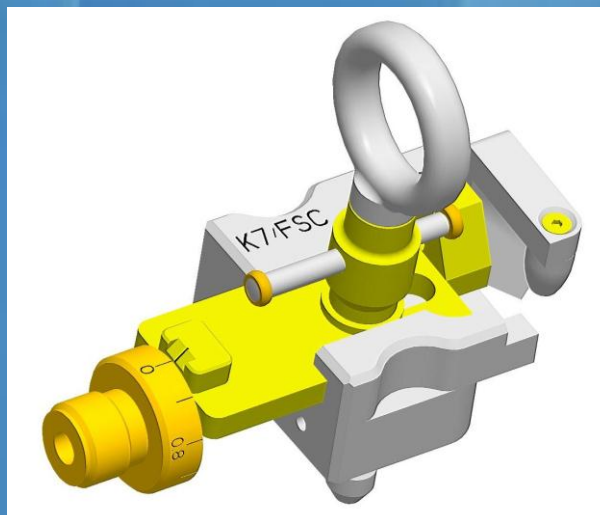


## HV – MULTIFUNCTIONS

### K7/FSC (pour MF4/60-110-NS et MF5/100-160-NS)



K  
7  
/  
F  
S  
C



**ALROC**

Z.I de la  
fonderie  
72160 Tuffé  
FRANCE

Tel:  
+33 (0)2 43 71 11 80  
Fax:  
+33 (0)2 43 71 16 51

www.alroc.fr  
commercial@alroc.fr

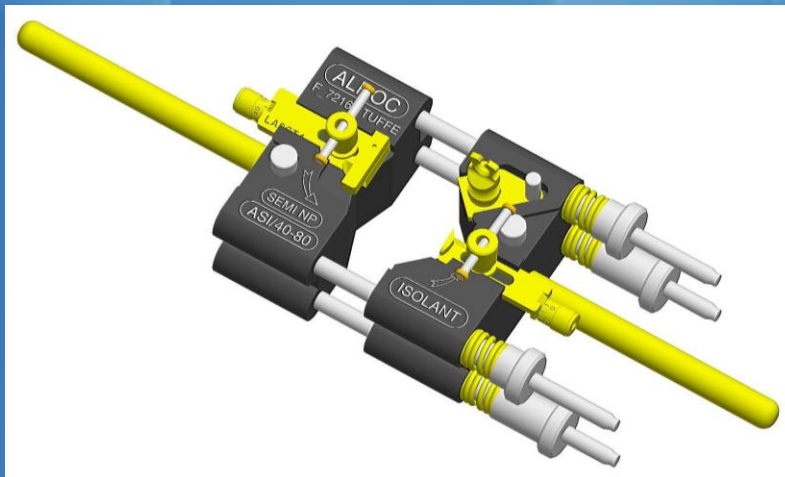
FUNCTIONS	CHARACTERISTICS
<p>K7/FSC is specially designed to remove bonded semi-conductor from cables by performing a taper/ cone on the semi-conductor screen while keeping a very clean surface on the insulation</p> <p>☞ K7/FSC can be installed on MF4/60-110 and MF5/100-160 tools.</p>	<p>Bonded semi-conductor removal</p> <p>Performs a taper/ cone on the bonded semi-conductor</p> <p>Very clean surface on insulation</p> <p>Substantial reduction of time sanding</p> <p>Compatible with MF4/60-110 or MF5/100-160 tools.</p>



# HV – MULTIFUNCTIONS ASI/40-80



A  
S  
I  
/  
40-  
80



Z.I de la  
fonderie  
72160 Tuffé  
FRANCE

Tel:  
+33 (0)2 43 71 11 80  
Fax:  
+33 (0)2 43 71 16 51

www.alroc.fr  
commercial@alroc.fr

FUNCTIONS	CHARACTERISTICS
<p>The ASI/40-80 tool allows to strip the bonded semi-conductor and to remove the insulation.</p>	<p>Bonded semi-conductor stripping.</p> <p>Insulation removal</p> <p>Capacity : <math>\varnothing 40</math> à 80mm</p> <p>Option : BMF thrust allows to perform a perfect and clean stop on the insulation or on the bonded semi-conductor.</p> <p>L : 420 mm      Poids : 3250g I : 130 mm H : 100 mm</p>



# HV – MULTIFUNCTIONS GRI-RTE



G  
R  
I  
-  
R  
T  
E



Z.I de la  
fonderie  
72160 Tuffé  
FRANCE

Tel:  
+33 (0)2 43 71 11 80  
Fax:  
+33 (0)2 43 71 16 51

www.alroc.fr  
commercial@alroc.fr

FUNCTIONS	CHARACTERISTICS
<p>GRI scraper allows to remove the outer bonded semi-conductor screen's residuals left on the cable insulation</p>	<p>Scraping of the semi-conductor residual Comes in it a plastic case</p> <p>L : 250 mm      Weight : 190g I : 40 mm H : 25 mm</p>

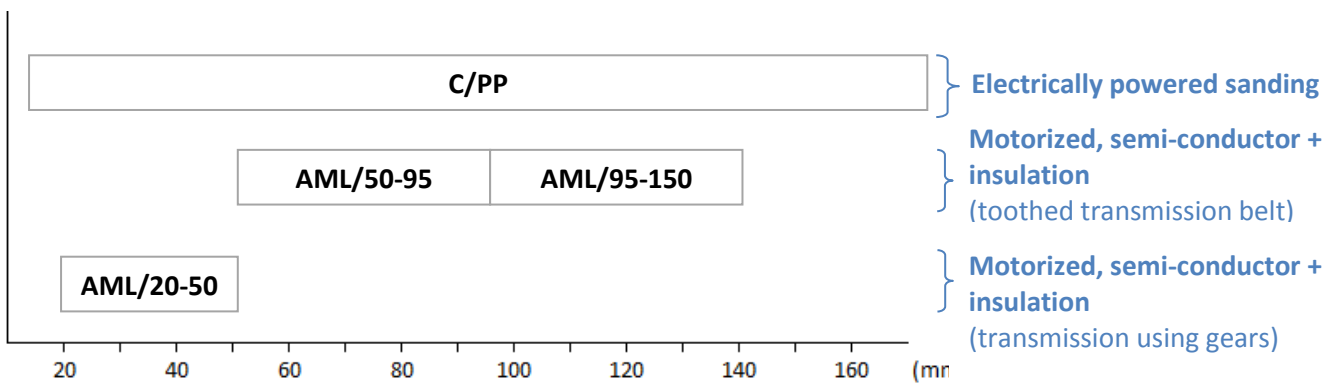




# **MOTORIZED MULTIFUNCTIONS**

**(SEMI-CONDUCTOR SCREEN + INSULATION)**

## Product range overview



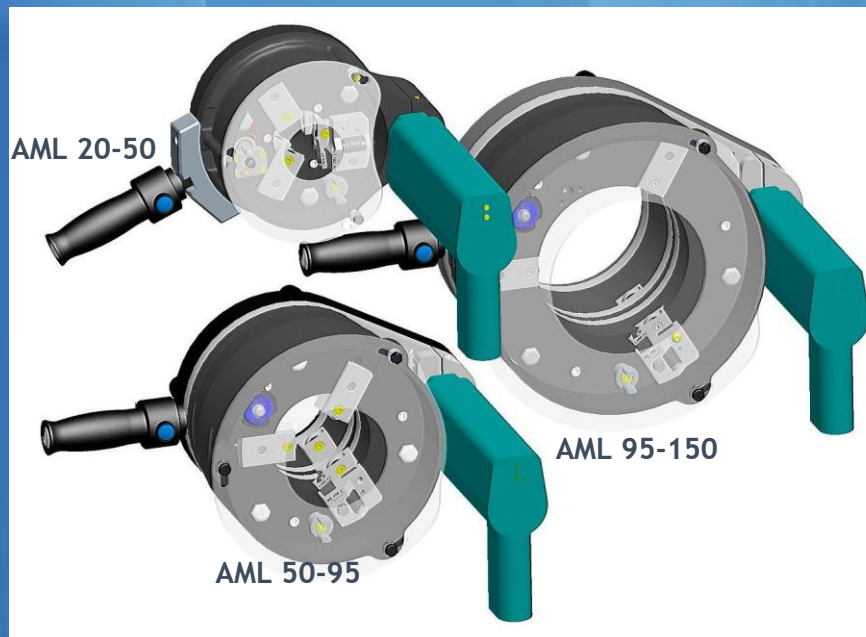




# HV – MULTIFUNCTIONS AML



A  
M  
L



**ALROC**

Z.I de la  
fonderie  
72160 Tuffé  
FRANCE

Tel:  
+33 (0)2 43 71 11 80  
Fax:  
+33 (0)2 43 71 16 51

www.alroc.fr  
commercial@alroc.fr

FUNCTIONS		CHARACTERISTICS	
The AML machine removes the bonded semi-conductive insulation shield and also a fine layer of insulation if required.		Bonded semi-conductor removal	
		Electrical powered tool	
		Distribution using gears for the AML 20-50 and toothed belt for the 50-95 and the 95-150 AML.	
Cable diameter	Ref :	Weight	
20 - 50 mm	AML 20-50	8,2 kg	
50 - 95 mm	AML 50-95	13,5 kg	
95 - 150 mm	AML 95-150	19,7 kg	



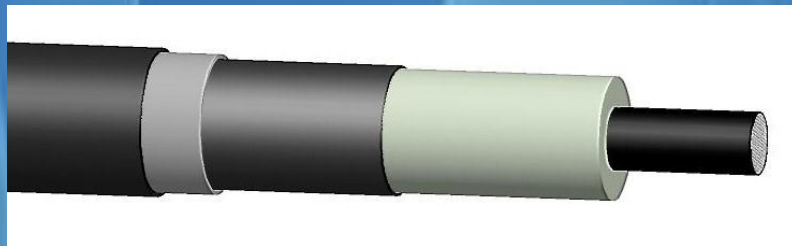
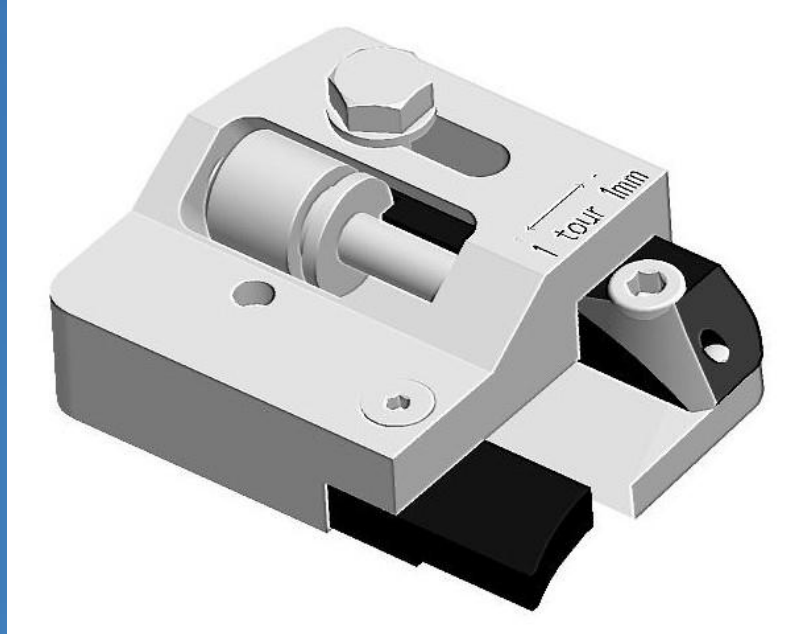
# HV – MULTIFUNCTIONS

## K7i/



K7i/

-



Z.I de la  
fonderie  
72160 Tuffé  
FRANCE

Tel:  
+33 (0)2 43 71 11 80  
Fax:  
+33 (0)2 43 71 16 51

www.alroc.fr  
commercial@alroc.fr

FUNCTIONS	CHARACTERISTICS
K7i/1, K7i/2 and K7i/3 are specially conceived to remove the insulation using AML machines.	Insulation removal  K7i/1 is installed on the AML20-50 tool K7i/2 is installed on the AML50-95 tool K7i/3 is installed on the AML95-150 tool

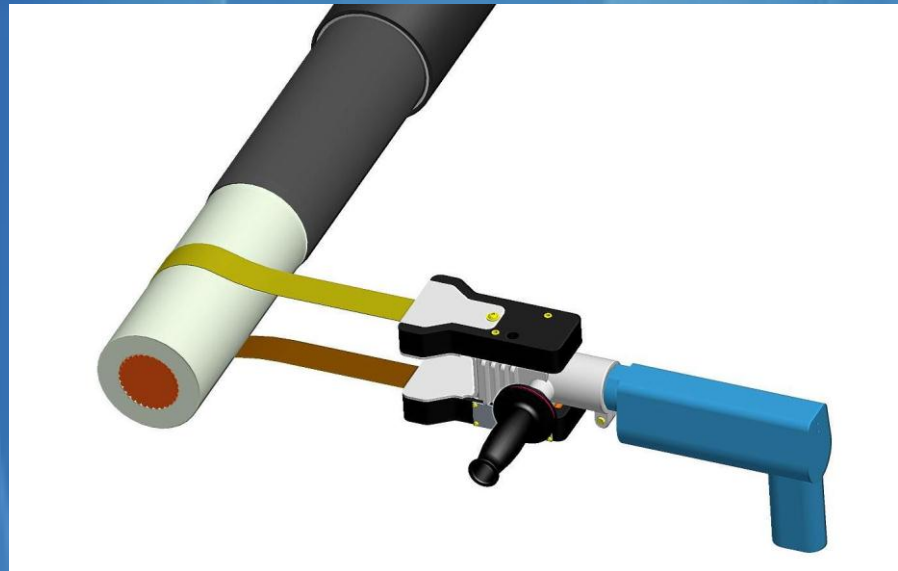
Ref.	Stripping Thickness min + max		
	AML 20-50	AML 50-95	AML 95-150
K7i/1	5 – 16 mm	6 – 17 mm	6 – 17 mm
K7i/2-15	<i>Non compatible</i>	2 – 15 mm	2 – 15 mm
K7i/2	<i>Non compatible</i>	11 – 24 mm	11 – 24 mm
K7i/3	<i>Non compatible</i>	<i>Non compatible</i>	16 – 34 mm



# HV – MULTIFUNCTIONS C/PP



C  
/  
P  
P



Z.I de la  
fonderie  
72160 Tuffé  
FRANCE

Tel:  
+33 (0)2 43 71 11 80  
Fax:  
+33 (0)2 43 71 16 51

www.alroc.fr  
commercial@alroc.fr

FUNCTIONS	CHARACTERISTICS
<p>The ALROC portable sanding machine is used to take out the roughnesses on the cable after using the ALROC tools LHS and AML</p>	<p>Sandpaper the cables Delivered in case with grease pump</p> <p>L : 505 mm I : 360 mm H : 120 mm</p> <p>Weight : 5,5 kg Case weight : 9.6kg</p>





# **CABLE CLAMP**

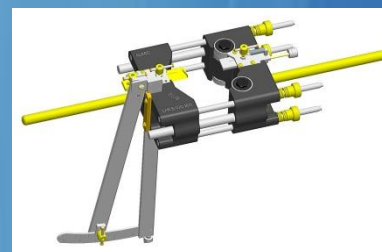
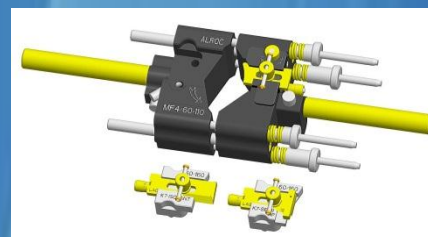
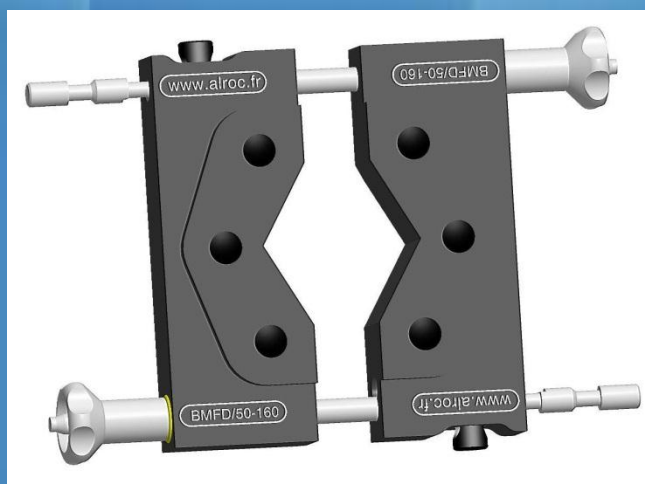


# HV – MULTIFUNCTIONS

## BMFD/50-160



B  
M  
F  
D  
/  
50-  
160



# ALROC

Z.I de la  
fonderie  
72160 Tuffé  
FRANCE

Tel:  
+33 (0)2 43 71 11 80  
Fax:  
+33 (0)2 43 71 16 51

www.alroc.fr  
commercial@alroc.fr

FUNCTIONS	CHARACTERISTICS
<p>The BMFD/50-160 thrust has 3 clamping positions to cover a wider range of cable diameters.</p> <p>The BMFD/50-160 thrust is reversible and designed for two functions :</p> <ol style="list-style-type: none"> <li>1. It is used as a stop for the tool with its pads.</li> <li>2. It serves as a running surface of the ALROCONE rollers.</li> </ol> <p>(Supplied with 2 sets of plates)</p>	<p>3 clamping positions</p> <p>Is used with teh following tools</p> <ul style="list-style-type: none"> <li>- AMF5/55-160-NS</li> <li>- MF4/60-110-NS</li> <li>- MF5/100-160-NS</li> <li>- LHP4</li> <li>- LHP5</li> <li>- AUG5/60-160</li> <li>- ASR/70-110</li> <li>- ASR/100-160</li> <li>- DMSR/80-160</li> <li>- CHN4-60-110-NS</li> <li>- CHN5-100-160-NS</li> </ul> <p>Capacity : Ø50-160mm</p> <p>L : 345 mm      Weight : 2.5 kg I : 245 mm H : 50 mm</p>



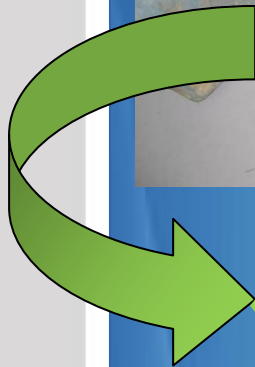
# **AFTER SALES SERVICE**



# Maintenance of ALROC cases



MAINTENANCE



Before



After



**ALROC**

Z.I de la fonderie  
72160 Tuffé  
FRANCE

Tel:  
+33 (0)2 43 71 11 80  
Fax:  
+33 (0)2 43 71 16 51

www.alroc.fr  
commercial@alroc.fr

## Actions

- ☞ Blade replacement
- ☞ Wear plates installation
- ☞ Re-calibration of all tools.
- ☞ Exchange of worn parts.
- ☞ Marking on the cases for follow up maintenance tracability

## Objectifs

- ☞ Restore the state of the tools to brand new
- ☞ Ensures optimum performance from the tools



## TERMS OF SALES

### 1. DEMAND ACCEPTANCE

Orr tenders aren't valid that to acceptance by return letter.

Engagements taken by our reps aren't definitely valid after have been recording by our company.

For unserviceable part, quantity of products delivered and invoiced could be superior of 10 per cent of the quantity ordered.

The annulment of order during execution or finishing don't accepted.

### 2. PAYMENT STIPULATION

Orr payment stipulations get on with compensating payment to Mans.

Orr invoices are payable to cash, without discount, except particular agreement between party.

According to the law 92-1442 on December 31st 1990, in case of delay payment in comparison with the date of payment, penalty are due, they are calculated by using to minimum the equal rate once and half the legal interest rate of civil year, preceding the date of invoice between the date of payment representing on the invoice and the date of payment received.

All delay or failure to pay or substantial changing in the situation of buyer at exacted a payment before all new expeditions.

### 3. DELAY AND DELIVRING

Delay of delivering leave of day of acceptance of order, they are gave at indicative title and without guarantee. The delay of delivering can't give place at reducing of price, any penalty or indemnity according previous express acceptance and to written of our company, with reciprocity equal premium in case of advantage at the delivering, our company is freeing of all relative mortgaging at the delay of delivering in the case of absolute necessity as: shore, fire, manufacture or set of tools accident, default of raw, stop of driving force, etc, these cases carry the suspension of delivering and extend the delay laid down.

In case of defectiveness, our responsibility restrict oneself to the slight alteration of defective part or at their pure and simple replacing in the shorter possible delay, without others consequences, any cost or indemnity. The complaints must be in by the latter, six day after receipt of goods. After this delay, our company doesn't admit it.

### 4. TRANSFER OF RISKS

Whatever the mode of expedition, our goods exclusively travel at one's own risk of customer part. All our expedition are famous according made at the order of buyer and to his account, except contrary expressly formulated willing.

It will belong buyer to make firm the goods sold from their exit of our factory and this until the date of transfer of property against all risks of damage of destruction or of responsibility caused or suffered by them.

### 5. CLAUSE OF SHARE OF PROPERTY

According to the law 80-335 on May 12th 1980, the transfer of property of our products is suspended until entire payment of their price in principal and accessory same in case of concession of delay of payment. The application of this clause wouldn't, in anyone case, to modify the application of conditions concerning the transfer of risks. Don't constitute a payment the discount of bill accepted or other titles creating an obligation to pay. Buyer wills became proprietor at the moment of payment effectively credited at our bank, of the last maturity, with accessory cost. In consequence, in case of partial or total no-payment of price at the maturity for any cause whatever, our company could be required from full right and without formality the restitution of products sold at the cost, one's own risk of buyer.

### 6. JURISDICTION ASSIGNING

In case of contesting or litigation of any mature whatever, the trade tribunal of LE MANS will be only competent, same in case of appeal in guarantee or of plurality of defendant.

The present sale general stipulation to apply oneself to all orders recorded by our company to the exclusion of all clause representing on the letters and bill of order from our customer except express and written acceptance by our care.